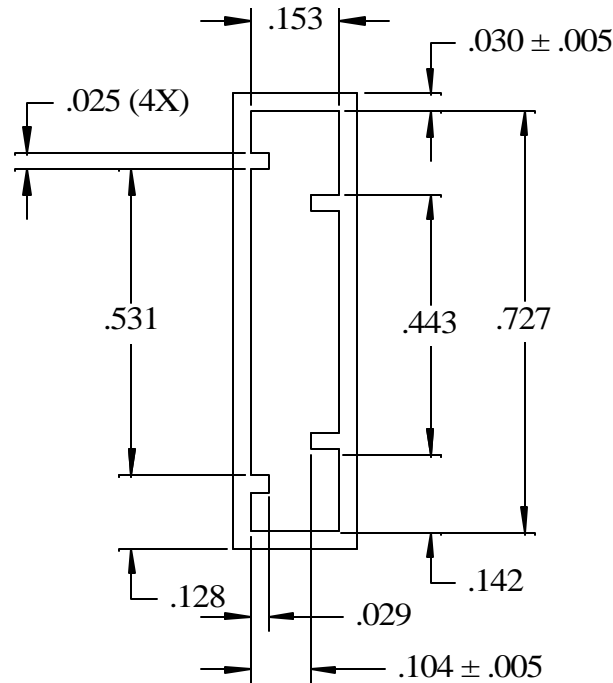
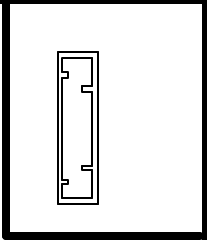


Tube Accessories

DESCRIPTION	Small Socket / OPTO Tube
PINS	MC-0550BLUE
END PLUGS	N/A
CONDUCTIVE TUBE STUFFER	SPECIAL ORDER
RUBBER CUSHION END PLUG	SPECIAL ORDER
All tubes are 20" long. Modifications or custom lengths available.	

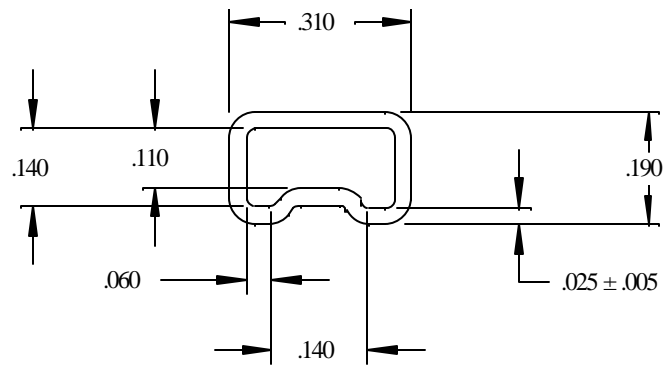
DRAWN BY	MC	SCALE	N/A
CHK'D BY		DATE	09-28-2000
APPROVED BY		PART NUMBER	MC-00578/AS



Tube Accessories

DESCRIPTION	350-400 SOP Anti-static Tube
PINS	N/A
END PLUGS	MC-322-6WHITE
CONDUCTIVE TUBE STUFFER	MC-6060CTS
RUBBER CUSHION END PLUG	SPECIAL ORDER
All tubes are 20" long. Modifications or custom lengths available.	

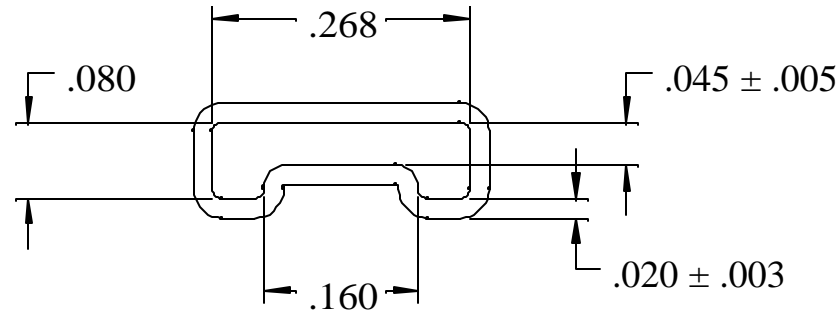
DRAWN BY	MC	SCALE	N/A
CHK'D BY	MV	DATE	8/27/97
APPROVED BY	AM	PART NUMBER	MC-0475-91/AS



Tube Accessories

DESCRIPTION	8 Pin SOIC Anti-static Tube
END PLUG	MC-150SOICBEP
PIN	N/A
STATIC DISSIPATIVE TUBE STUFFER	MC-2060CTS
RUBBER CUSHION END PLUG	SPECIAL ORDER
All tubes are 20" long. Modifications or custom lengths available.	

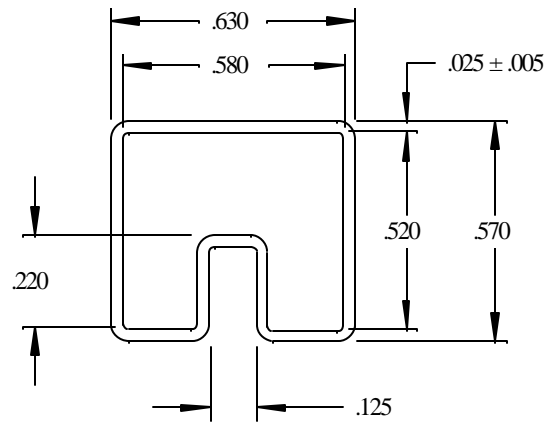
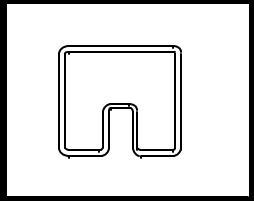
DRAWN BY		SCALE
MC		N/A
CHK'D BY		DATE
AC		1-15-97
STD. TOLERANCE		PART NUMBER
± .010		MC-0587SOIC/AS



Tube Accessories

DESCRIPTION	4.4mm TSSOP Anti-static Tube
PINS	N/A
END PLUGS	MC-0110-01
CONDUCTIVE TUBE STUFFER	MC-2060CTS
RUBBER CUSHION END PLUG	Special Order
All tubes are 20" long. Modifications or custom lengths available.	

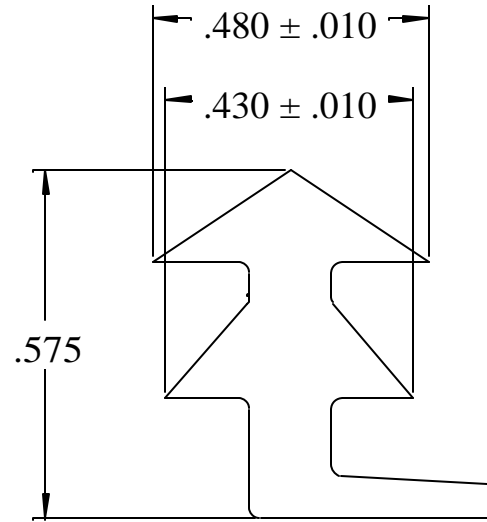
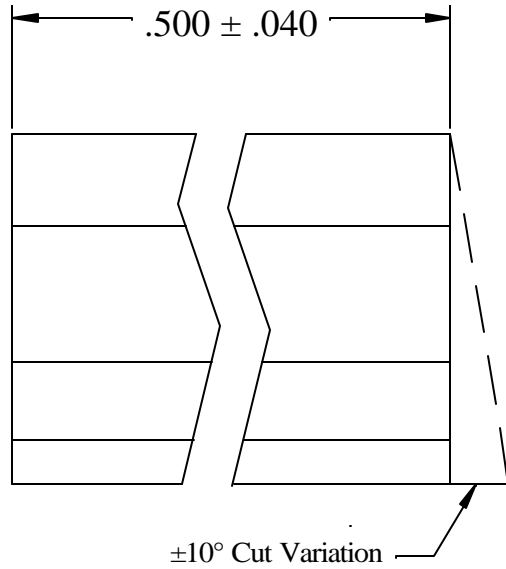
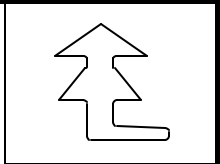
DRAWN BY		SCALE
MC		N/A
CHK'D BY		DATE
AC		01/29/2001
APPROVED BY		PART NUMBER
		MC-0606TSSOP/AS



Tube Accessories

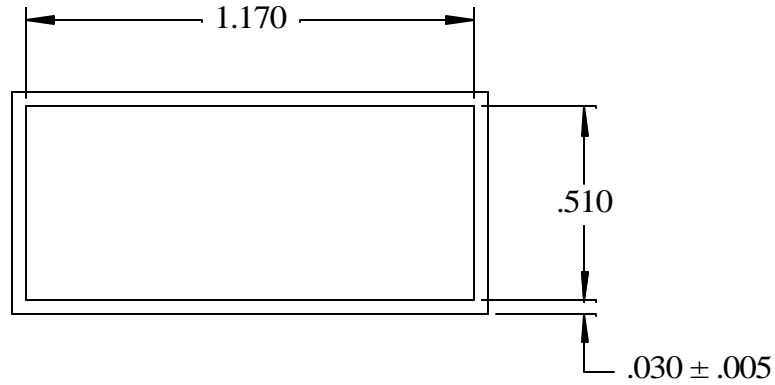
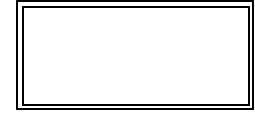
DESCRIPTION	Anti-static Connector Shipping Tube
PINS	MC-0550
END PLUGS	MC-900STBEP
CONDUCTIVE TUBE STUFFER	SPECIAL ORDER
RUBBER CUSHION END PLUG	N/A
All tubes are 20" long. Modifications or custom lengths available.	

DRAWN BY	MC	SCALE	N/A
CHK'D BY	AC	DATE	1-24-97
STD. TOLERANCE	± .010	PART NUMBER	MC-0900ST/AS



DESCRIPTION	Black End Plug
MATERIAL	Kraton 3204

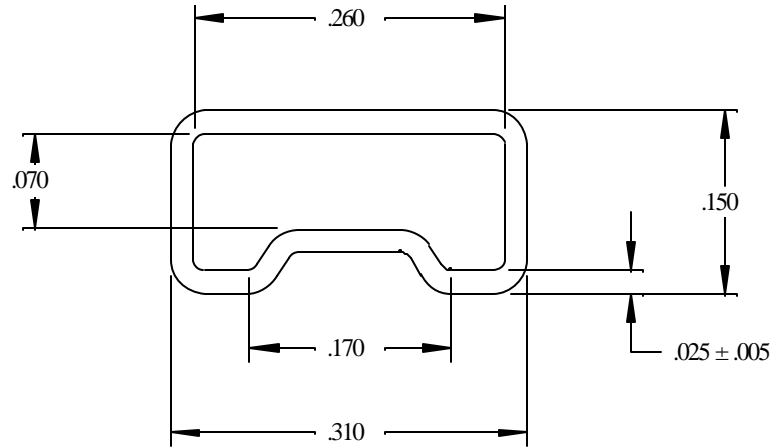
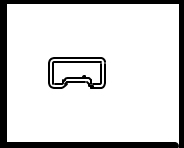
DRAWN BY		SCALE	
MC		N/A	
CHK'D BY		DATE	
		05/04/2000	
APPROVED BY		PART NUMBER	
		MC-0900STBEP	



Tube Accessories

DESCRIPTION	Anti-static Socket / Carrier Tube
PINS	MC-0550BLUE
END PLUGS	SPECIAL ORDER
CONDUCTIVE TUBE STUFFER	SPECIAL ORDER
RUBBER CUSHION END PLUG	SPECIAL ORDER
All tubes are 20" long. Modifications or custom lengths available.	

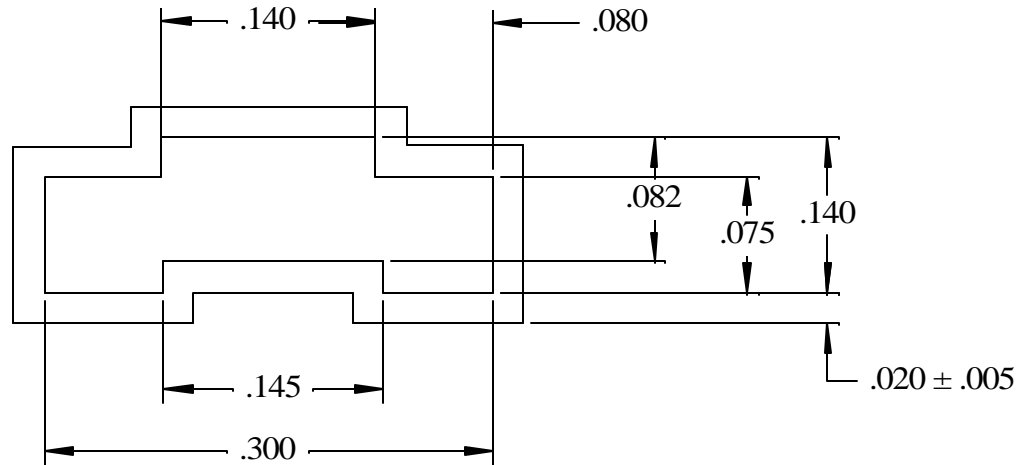
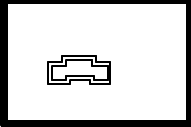
DRAWN BY		SCALE
MC		N/A
CHK'D BY		DATE
AC		08-02-2000
APPROVED BY		PART NUMBER
		MC-11SOCKET/AS



Tube Accessories

DESCRIPTION	150 Mil SOIC Anti-static Tube
PINS	N/A
END PLUGS	MC-150SOICGEP, MC-150SOICREP
CONDUCTIVE TUBE STUFFER	MC-2060CTS
RUBBER CUSHION END PLUG	SPECIAL ORDER
All tubes are 20" long. Modifications or custom lengths available.	

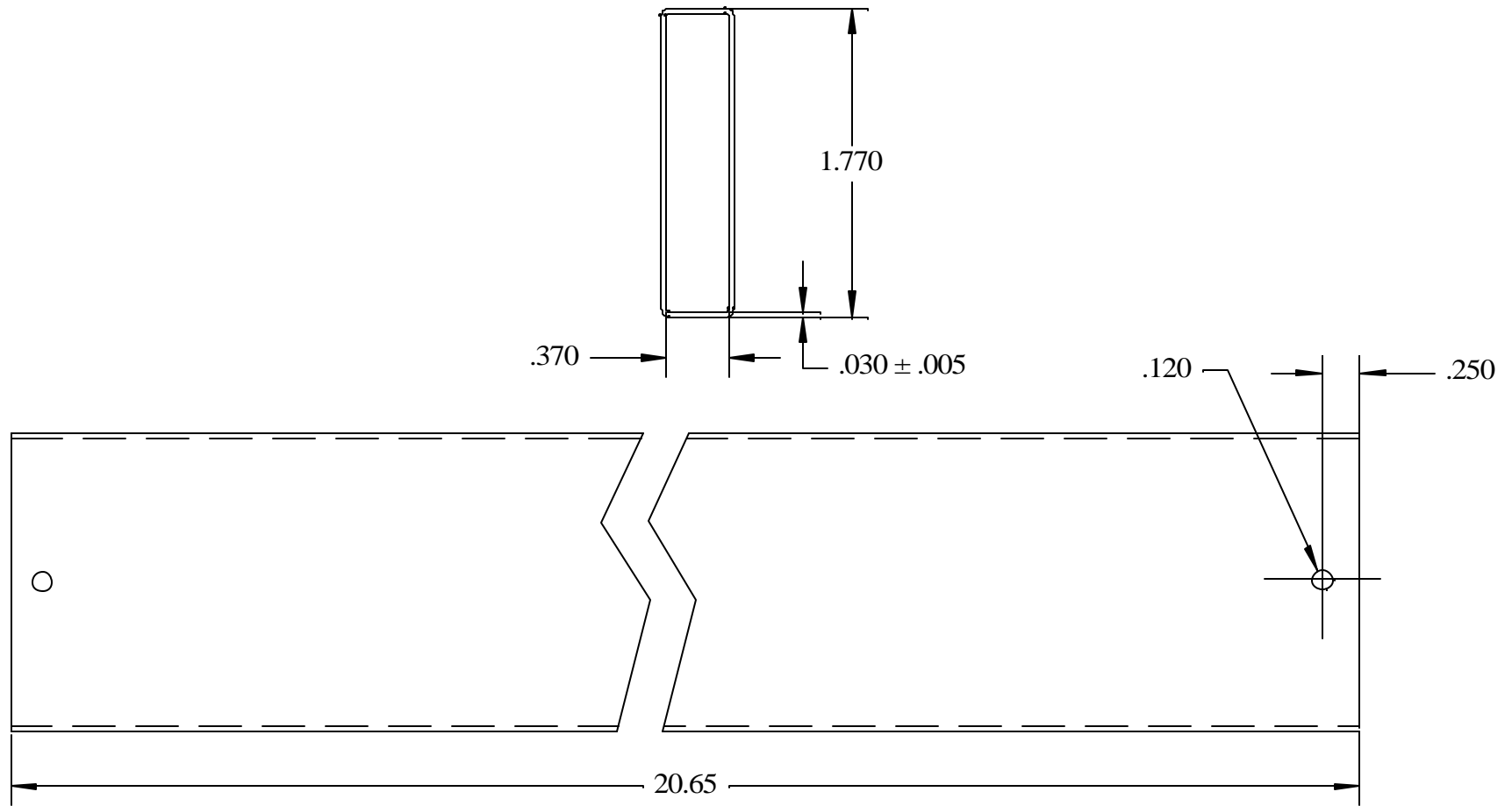
DRAWN BY	MC	SCALE	N/A
CHK'D BY		DATE	4-28-97
APPROVED BY	AM	PART NUMBER	MC-150SOIC/AS



Tube Accessories

DESCRIPTION	150 Mil SOP Anti-static Tube
PINS	N/A
END PLUGS	MC-150SOICGEP, MC-150SOICREP
CONDUCTIVE TUBE STUFFER	MC-2060CTS
RUBBER CUSHION END PLUG	SPECIAL ORDER
All tubes are 20" long. Modifications or custom lengths available.	

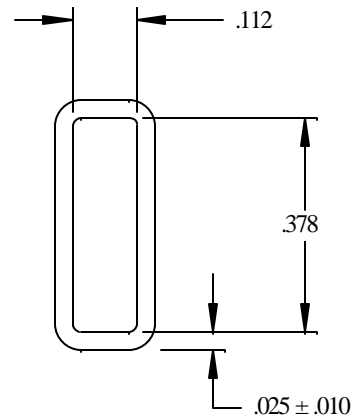
DRAWN BY	MC	SCALE	N/A
CHK'D BY		DATE	06-12-2000
APPROVED BY		PART NUMBER	MC-150SOP/AS



Tube Accessories

DESCRIPTION	Socket/Carrier Anti-static Shipping Tube
PINS	N/A
END PLUGS	
CONDUCTIVE TUBE STUFFER	
RUBBER CUSHION END PLUG	

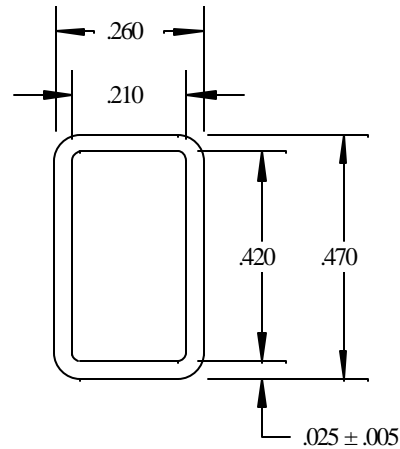
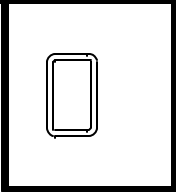
DRAWN BY	MC	SCALE	N/A
CHK'D BY		DATE	6/6/2000
STD. TOLERANCE	± .010	PART NUMBER	MC-17SOCKET/AS



Tube Accessories

DESCRIPTION 18-20 LCC Anti-static Tube
PINS N/A
END PLUGS MC-322-3, MC-322-3WHITE, MC-322-3RED
CONDUCTIVE TUBE STUFFER MC-2060CTS
RUBBER CUSHION END PLUG Special Order
All tubes are 20" long. Modifications or custom lengths available.

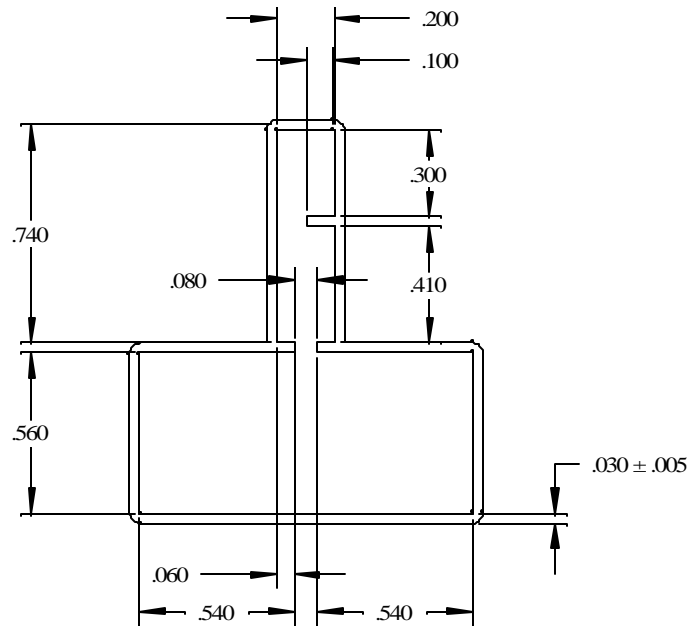
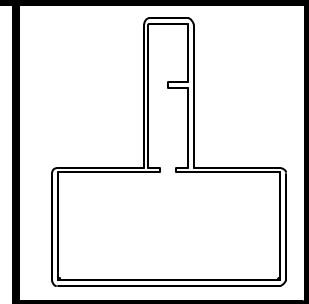
DRAWN BY MC	SCALE N/A
CHK'D BY AC	DATE 1-27-97
STD. TOLERANCE ± .010	PART NUMBER MC-1820LCC/AS



Tube Accessories

DESCRIPTION	20 Lead PLCC Anti-static Tube
END PLUG	MC-300BEP, MC-300REP
CONDUCTIVE TUBE STUFFER	MC-3187CTS
RUBBER CUSHION END PLUG	MC-3187RCP
All tubes are 20" long. Modifications or custom lengths available.	

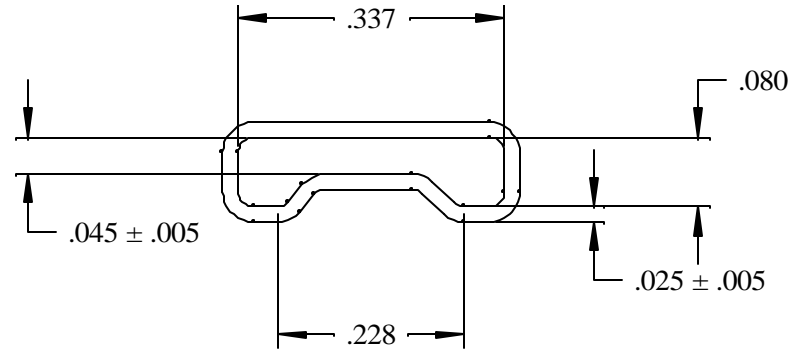
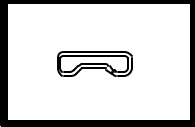
DRAWN BY	MC	SCALE	N/A
CHK'D BY	AC	DATE	1-20-97
STD.TOLERANCE	± .010	PART NUMBER	MC-20PLCC/AS



Tube Accessories

DESCRIPTION
PINS
END PLUGS
CONDUCTIVE TUBE STUFFER
RUBBER CUSHION END PLUG
All tubes are 20" long. Modifications or custom lengths available.

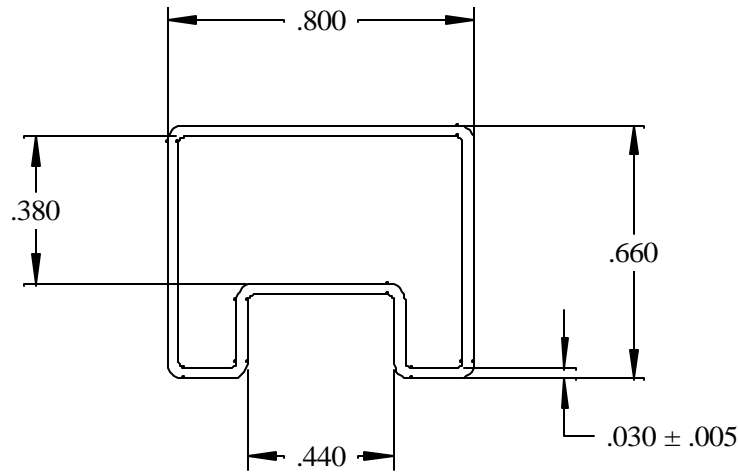
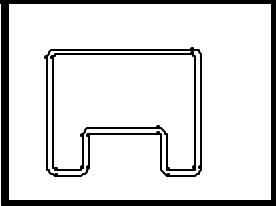
DRAWN BY MC	SCALE N/A
CHK'D BY	DATE 10/065/2000
APPROVED BY AM	PART NUMBER MC-220TR/AS



Tube Accessories

DESCRIPTION	220 Mil TSSOP Anti-static Tube
PINS	N/A
END PLUGS	MC-0110-01
CONDUCTIVE TUBE STUFFER	MC-2060CTS
RUBBER CUSHION END PLUG	SPECIAL ORDER
All tubes are 20" long. Modifications or custom lengths available.	

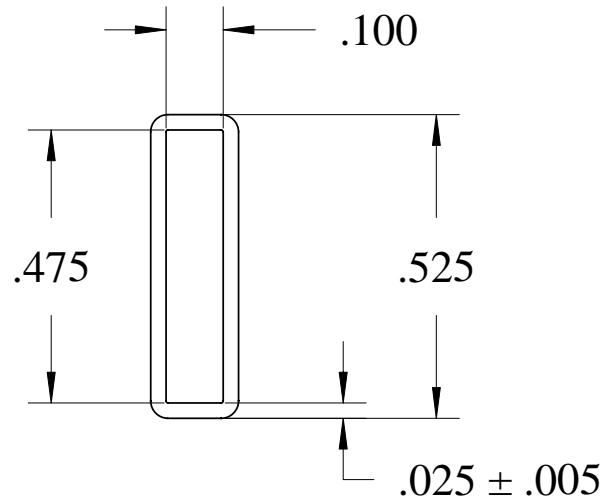
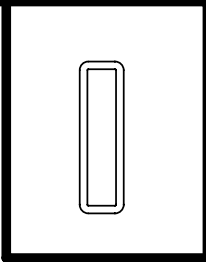
DRAWN BY		SCALE	
MC		N/A	
CHK'D BY		DATE	
		08/27/1997	
APPROVED BY		PART NUMBER	
		MC-220TSSOP/AS	



Tube Accessories

DESCRIPTION	Large Socket / OPTO Tube
PINS	MC-0550BLUE
END PLUGS	N/A
SPECIAL ORDER	CTS
RUBBER CUSHION END PLUG	SPECIAL ORDER
All tubes are 20" long. Modifications or custom lengths available.	

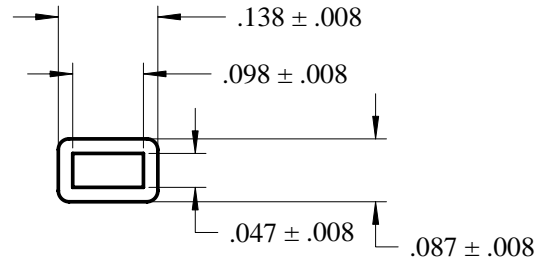
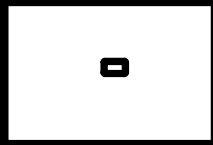
DRAWN BY	MC	SCALE	N/A
CHK'D BY		DATE	08/27/1997
APPROVED BY		PART NUMBER	MC-246A/AS



Tube Accessories

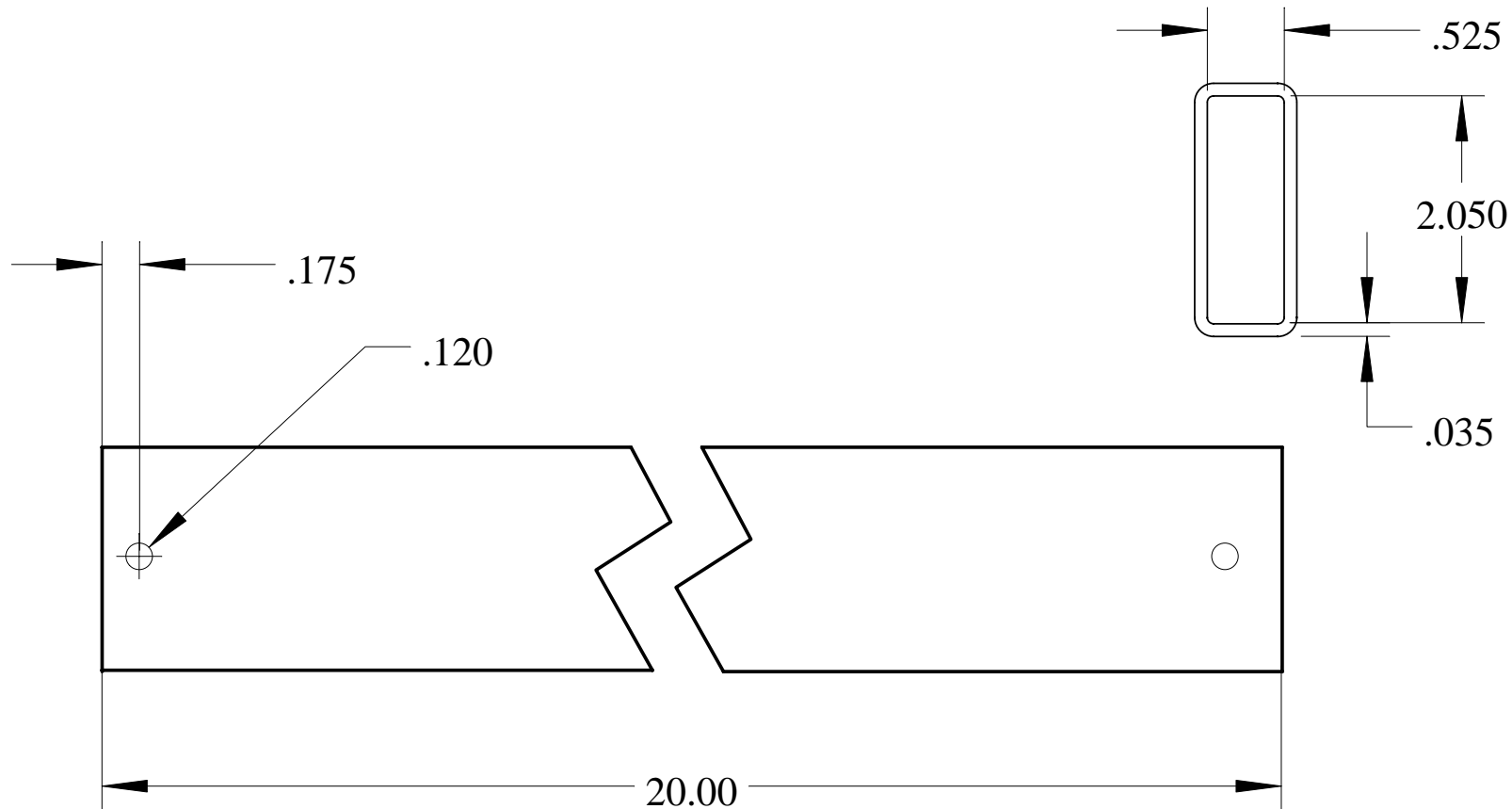
DESCRIPTION	28-32 Lead LCC
PINS	N/A
END PLUGS	MC-322-3WHITE
CONDUCTIVE TUBE STUFFER	MC-4060CTS
RUBBER CUSHION END PLUG	N/A
All tubes are 20" long. Modifications or custom lengths available.	

DRAWN BY		SCALE	
MC		N/A	
CHK'D BY		DATE	
		1-15-97	
STD. TOLERANCE		PART NUMBER	
± .010		MC-2832LCC/AS	



DESCRIPTION	2x2 QFN Anti-static Shipping Tube
PINS	N/A
END PLUGS	MC-MLF2BEP
CONDUCTIVE TUBE STUFFER	MC-1020CTS
RUBBER CUSHION END PLUG	N/A
All tubes are 15.00" long. Modifications or custom lengths available.	

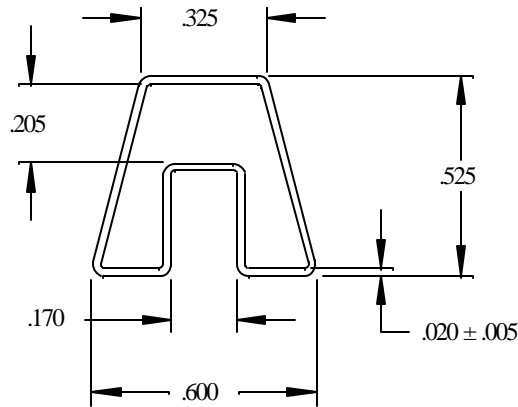
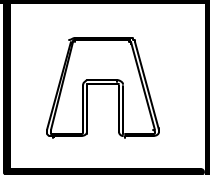
DRAWN BY		SCALE
MC		N/A
CHK'D BY		DATE
PC		02/27/2002
STD. TOLERANCE		PART NUMBER
± .010		MC-2QFN/AS



Tube Accessories

DESCRIPTION	Socket/Carrier Anti-static Shipping Tube
PINS	MC-0550BLUE
END PLUGS	
CONDUCTIVE TUBE STUFFER	
RUBBER CUSHION END PLUG	

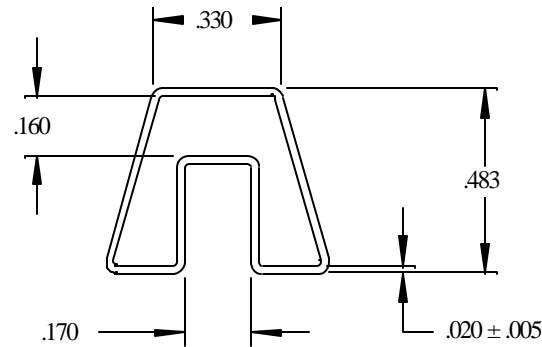
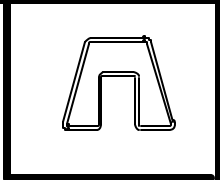
DRAWN BY		SCALE	
MC		N/A	
CHK'D BY		DATE	
		2-22-00	
STD. TOLERANCE		PART NUMBER	
± .010		MC-2SOCKET/AS	



Tube Accessories

DESCRIPTION	300 Mil DIP High Profile Anti-static Tube
PINS	MC-2000 EYELET, MC-4000 NEEDLE
END PLUGS	MC-300BEP, MC-300REP
CONDUCTIVE TUBE STUFFER	MC-3187CTS
RUBBER CUSHION END PLUG	MC-3187RCP
All tubes are 20" long. Modifications or custom lengths available.	

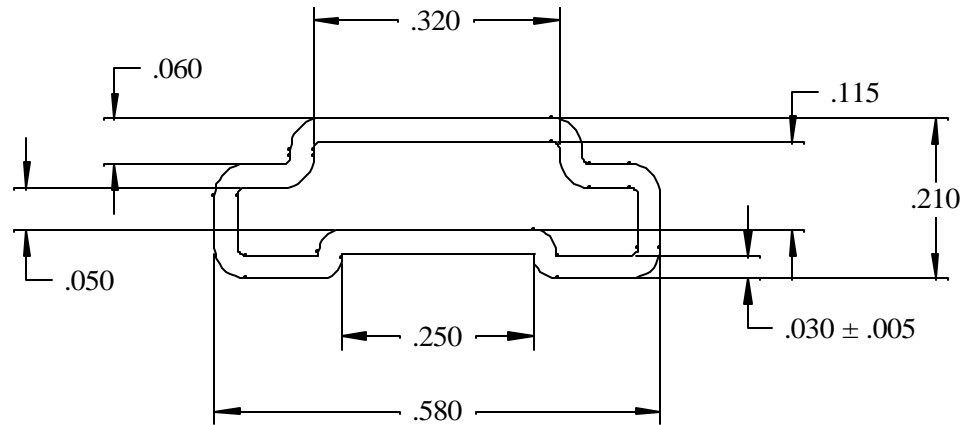
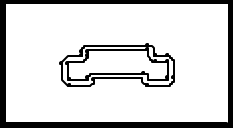
DRAWN BY	MC	SCALE	N/A
CHK'D BY	AC	DATE	1-27-97
STD. TOLERANCE	± .010	PART NUMBER	MC-300HAS



Tube Accessories

DESCRIPTION	300 Mil DIP Low Profile Anti-static Tube
PINS	MC-2000 EYELET, MC-4000 NEEDLE
END PLUGS	MC-300BEP, MC-300REP
CONDUCTIVE TUBE STUFFER	MC-3125CTS
RUBBER CUSHION END PLUG	MC-3125RCP
All tubes are 20" long. Modifications or custom lengths available.	

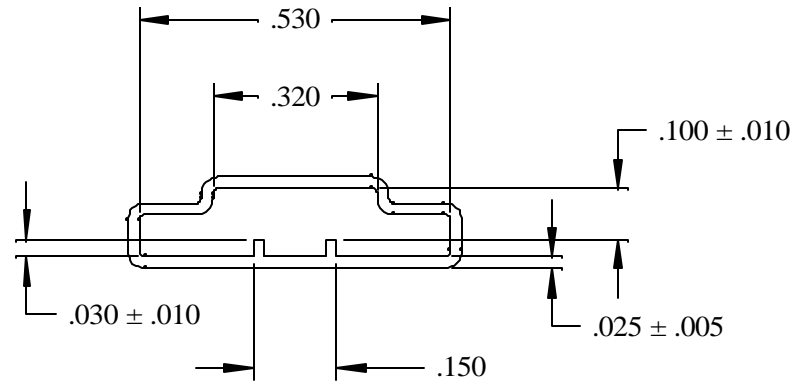
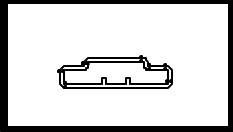
DRAWN BY	MC	SCALE	N/A
CHK'D BY	AC	DATE	1-27-97
APPROVED BY	AM	PART NUMBER	MC-300LAS



Tube Accessories

DESCRIPTION	300 Mil SOIC Anti-static Tube
PINS	N/A
END PLUGS	MC-300SOICBEP
CONDUCTIVE TUBE STUFFER	MC-3060CTS
RUBBER CUSHION END PLUG	SPECIAL ORDER
All tubes are 20" long. Modifications or custom lengths available.	

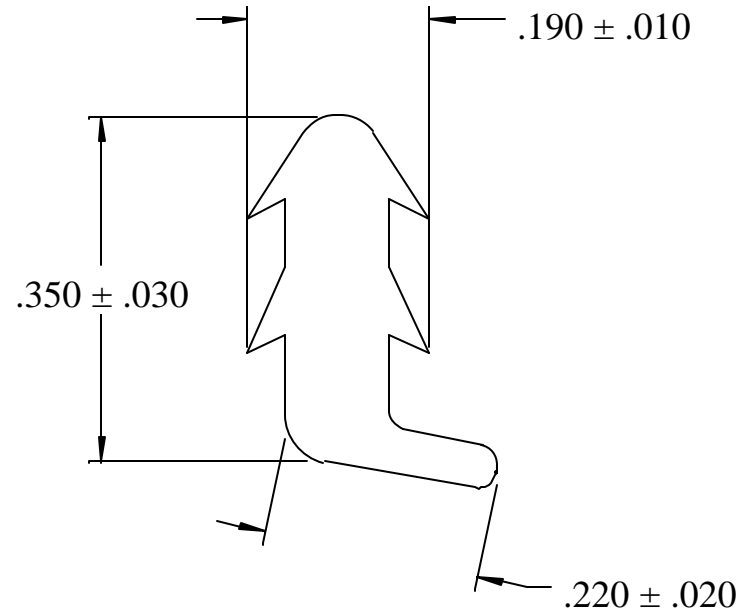
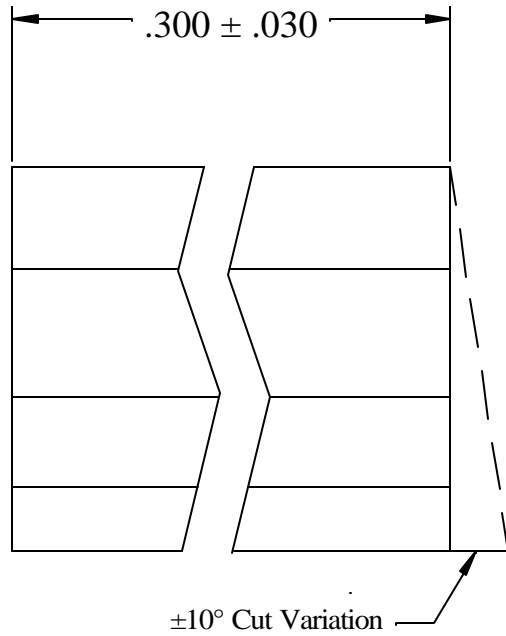
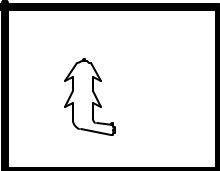
DRAWN BY		SCALE
MC		N/A
CHK'D BY		DATE
MV		11/15/96
APPROVED BY		PART NUMBER
AM		MC-300SOIC/AS



Tube Accessories

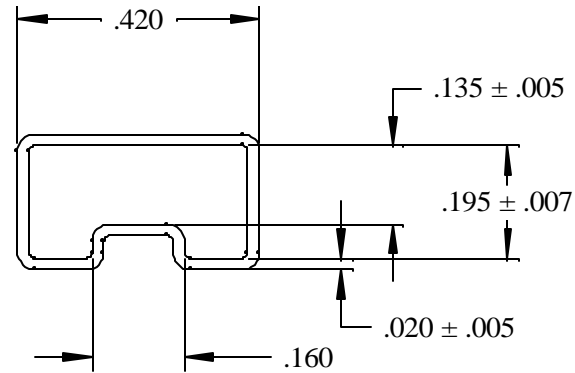
DESCRIPTION	300 Mil SOIC/SOJ Anti-static Tube
PINS	N/A
END PLUGS	MC-300SOICBEP
CONDUCTIVE TUBE STUFFER	MC-3060CTS
RUBBER CUSHION END PLUG	SPECIAL ORDER
All tubes are 20" long. Modifications or custom lengths available.	

DRAWN BY	MC	SCALE	N/A
CHK'D BY		DATE	11/16/1997
APPROVED BY		PART NUMBER	MC-300SOIC/SOJ



DESCRIPTION	Black End Plug
MATERIAL	Kraton 3204

DRAWN BY	MC	SCALE	N/A
CHK'D BY		DATE	05/04/2000
APPROVED BY		PART NUMBER	MC-300SOICBEP

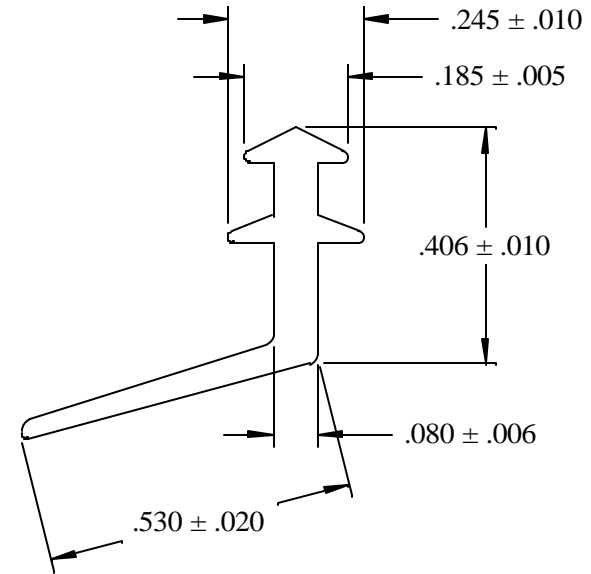
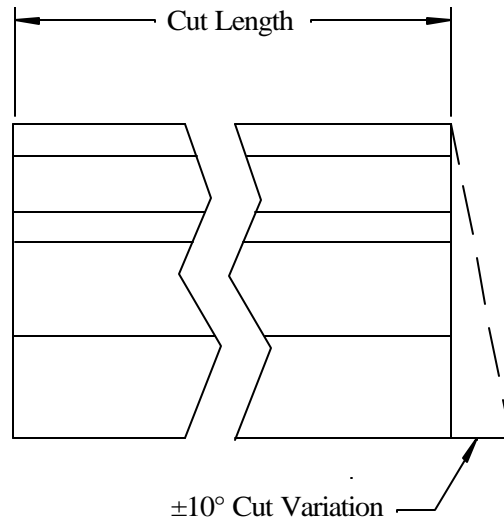
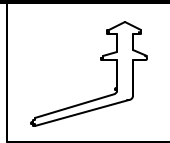


Tube Accessories

DESCRIPTION	300 Mil SOJ Anti-static Tube
PINS	N/A
END PLUGS	MC-322-3WHITE
CONDUCTIVE TUBE STUFFER	MC-3125CTS
RUBBER CUSHION END PLUG	SPECIAL ORDER
All tubes are 20" long. Modifications or custom lengths available.	

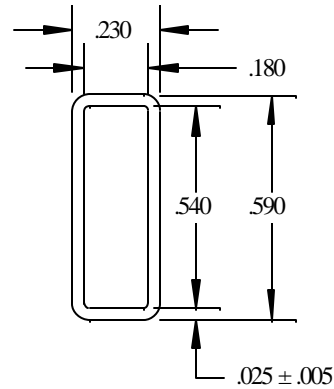
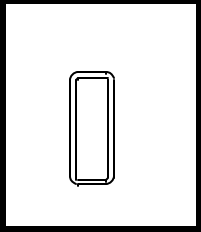
DRAWN BY	MC	SCALE	N/A
CHK'D BY		DATE	08/27/1997
APPROVED BY		PART NUMBER	MC-300SOJ/AS

Part Number	Cut Length	Color	Tube Outline
MC-322-3WHITE	.300"	White	300 Mil SOIC 20, 28 and 32 LCC
MC-322-3RED	.300"	Red	300 Mil SOIC 20, 28 and 32 LCC
MC-322-6WHITE	.600"	White	32 SOPand 44 LCC
MC-322-6BLUE	.600"	Blue	32 SOPand 44 LCC



DESCRIPTION	Two Pronged Low Profile End Plug
MATERIAL	Kraton 3202

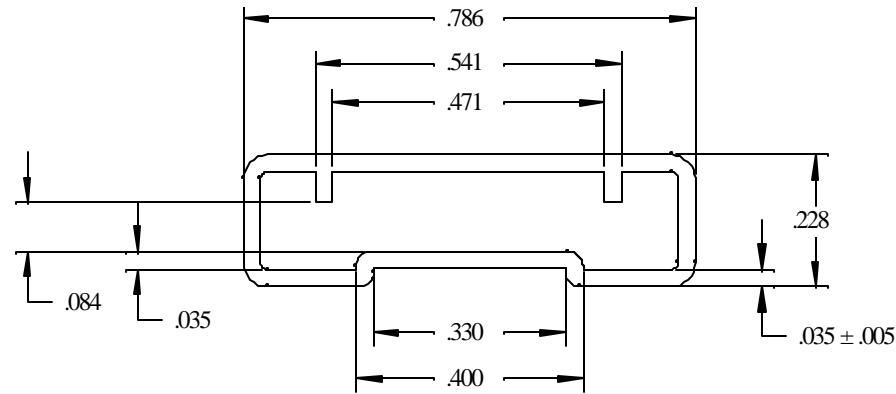
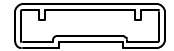
DRAWN BY	MC	SCALE	N/A
CHK'D BY		DATE	04/25/2000
APPROVED BY		PART NUMBER	MC-322-X



Tube Accessories

DESCRIPTION	32 Lead PLCC Anti-static Tube
END PLUG	MC-400BEP, MC-400REP, MC-2039-4
CONDUCTIVE TUBE STUFFER	MC-4187CTS
RUBBER CUSHION END PLUG	MC-4187RCP
All tubes are 20" long. Modifications or custom lengths available.	

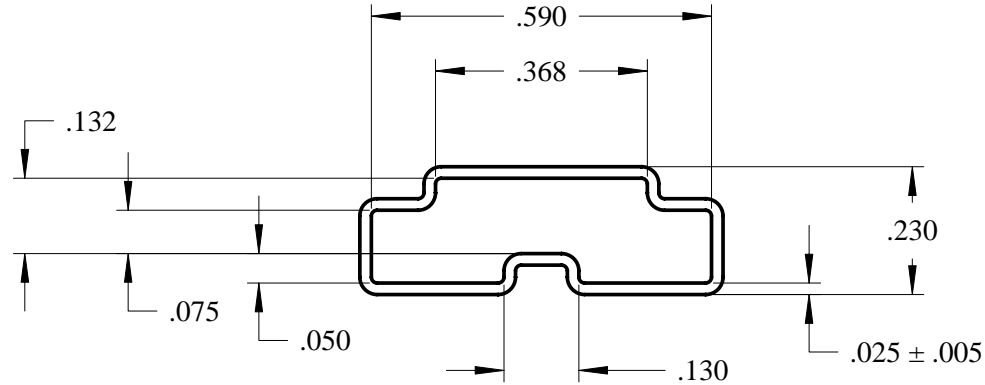
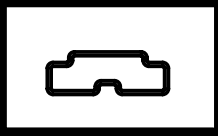
DRAWN BY	MC	SCALE	N/A
CHK'D BY	AC	DATE	1-20-97
STD. TOLERANCE	± .010	PART NUMBER	MC-32PLCC/AS



Tube Accessories

DESCRIPTION	32 Lead SOP Anti-static Tube
PINS	N/A
END PLUGS	MC-322-6WHITE
CONDUCTIVE TUBE STUFFER	MC-6060CTS
RUBBER CUSHION END PLUG	SPECIAL ORDER
All tubes are 20" long. Modifications or custom lengths available.	

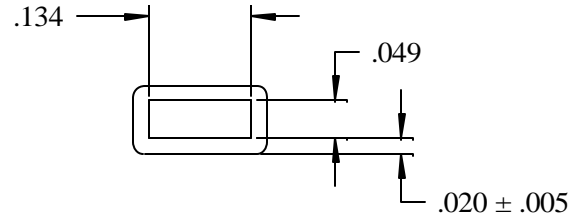
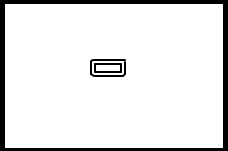
DRAWN BY	MC	SCALE	N/A
CHK'D BY		DATE	8/27/97
APPROVED BY		PART NUMBER	MC-32SOP/AS



Tube Accessories

DESCRIPTION	300 Mil SOIC Anti-static Tube
PINS	N/A
END PLUGS	MC-322-3WHITE
CONDUCTIVE TUBE STUFFER	MC-3125CTS
RUBBER CUSHION END PLUG	SPECIAL ORDER
All tubes are 20" long. Modifications or custom lengths available.	

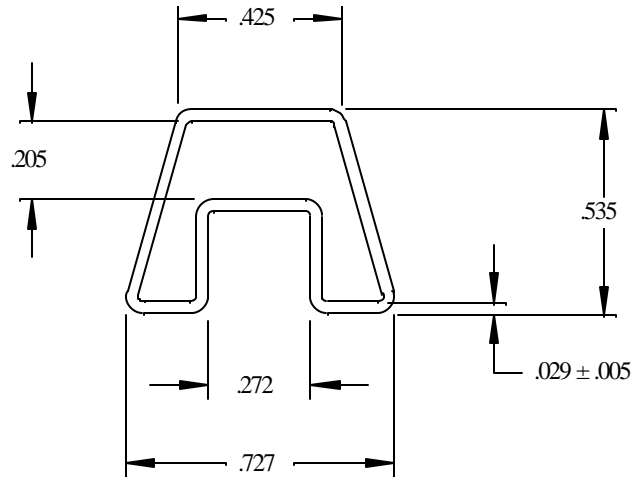
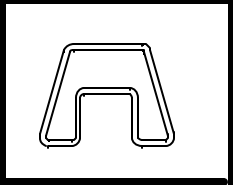
DRAWN BY	SCALE
MC	N/A
CHK'D BY	DATE
	08/27/1997
APPROVED BY	PART NUMBER
	MC-330SOIC/SOJ



Tube Accessories

DESCRIPTION	3x3 QFN Anti-static Shipping Tube
PINS	N/A
END PLUGS	MC-MLF3BEP
CONDUCTIVE TUBE STUFFER	MC-1020CTS
RUBBER CUSHION END PLUG	N/A
All tubes are 15.00" long. Modifications or custom lengths available.	

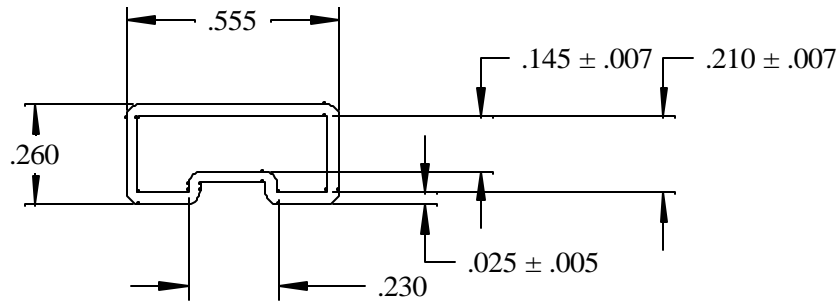
DRAWN BY		SCALE
MC		N/A
CHK'D BY		DATE
AC		02/27/2002
STD. TOLERANCE		PART NUMBER
± .010		MC-3QFN/AS



Tube Accessories

DESCRIPTION	400 Mil DIP Anti-static Tube
END PLUG	MC-400BEP, MC-2039-4
PINS	MC-2000 EYELET, MC-4000 NEEDLE
CONDUCTIVE TUBE STUFFER	MC-4187CTS
RUBBER CUSHION END PLUG	MC-4187RCP
All tubes are 20" long. Modifacations or custom lengths available.	

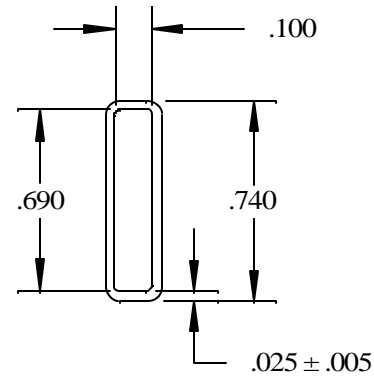
DRAWN BY	MC	SCALE	N/A
CHK'D BY	AC	DATE	1-15-97
STD. TOLERANCE	± .010	PART NUMBER	MC-400HAS



Tube Accessories

DESCRIPTION	400 Mil SOJ Anti-static Tube
PINS	N/A
END PLUGS	MC-322-3WHITE
CONDUCTIVE TUBE STUFFER	MC-4125CTS
RUBBER CUSHION END PLUG	SPECIAL ORDER
All tubes are 20" long. Modifications or custom lengths available.	

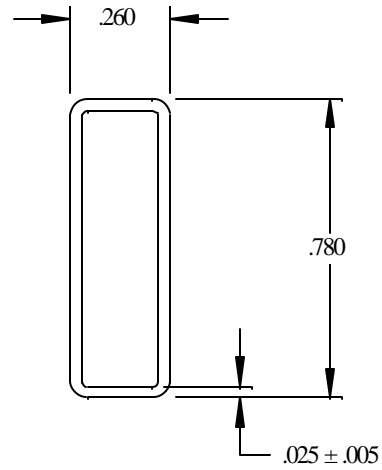
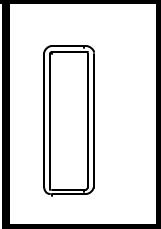
DRAWN BY	MC	SCALE	N/A
CHK'D BY		DATE	08/27/1997
APPROVED BY		PART NUMBER	MC-400SOJ/AS



Tube Accessories

DESCRIPTION	44 Lead LCC
PINS	N/A
END PLUGS	MC-322-6WHITE
CONDUCTIVE TUBE STUFFER	MC-6060CTS
RUBBER CUSHION END PLUG	N/A
All tubes are 20" long. Modifications or custom lengths available.	

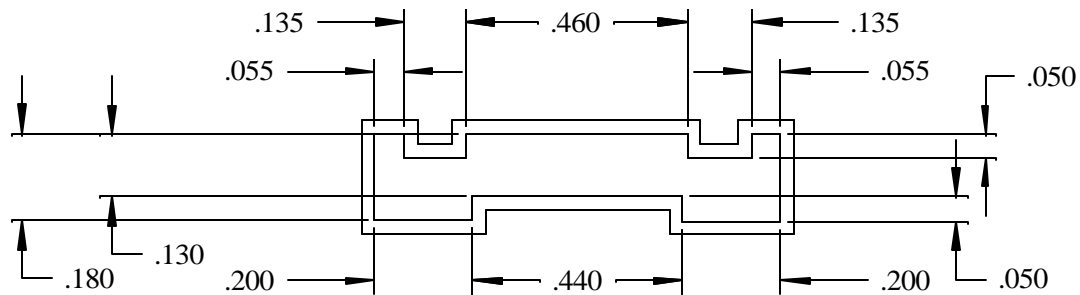
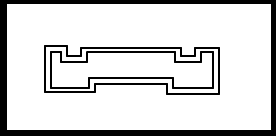
DRAWN BY		SCALE
MC		N/A
CHK'D BY		DATE
AC		1-15-97
STD. TOLERANCE		PART NUMBER
± .010		MC-44LCC/AS



Tube Accessories

DESCRIPTION	44 Lead PLCC Anti-static Tube
PINS	N/A
END PLUGS	MC-600BEP, MC-600REP, MC-2039-6
MC-6125CTS	MC-6187CTS
RUBBER CUSHION END PLUG	MC-6187RCP
All tubes are 20" long. Modifications or custom lengths available.	

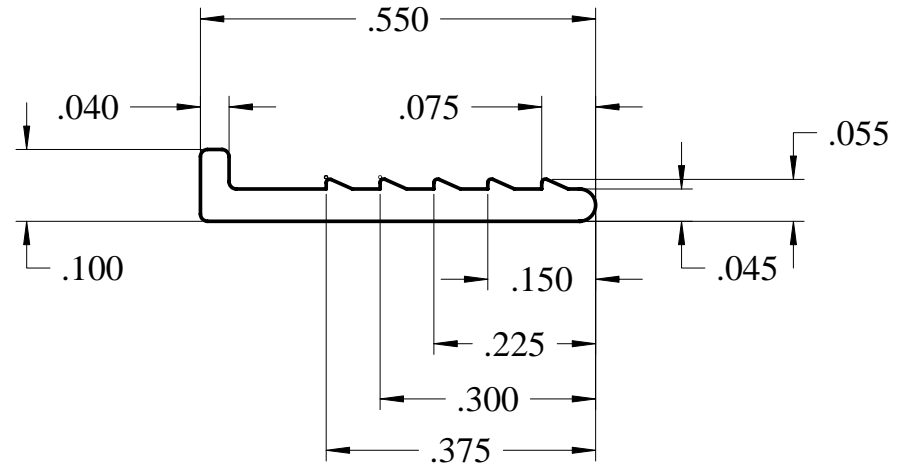
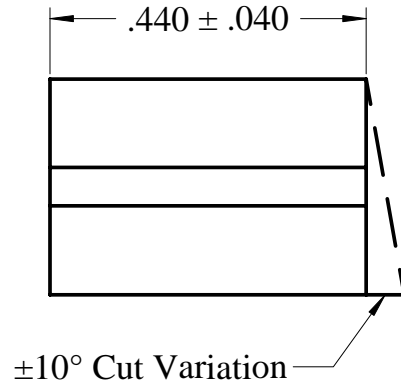
DRAWN BY	MC	SCALE	N/A
CHK'D BY	AC	DATE	1-27-97
STD. TOLERANCE	± .010	PART NUMBER	MC-44PLCC/AS



Tube Accessories

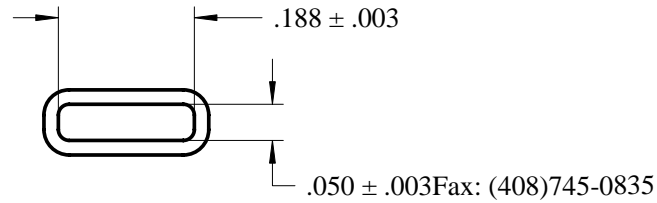
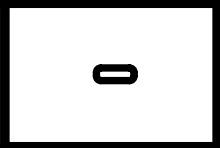
DESCRIPTION	Anti-static Tube
PINS	N/A
END PLUGS	BEP
CONDUCTIVE TUBE STUFFER	CTS
RUBBER CUSHION END PLUG	SPECIAL ORDER
All tubes are 20" long. Modifications or custom lengths available.	

DRAWN BY	MC	SCALE	N/A
CHK'D BY		DATE	09-28-2000
APPROVED BY		PART NUMBER	MC-450SOP/AS



DESCRIPTION	Black End Plug
MATERIAL	Kraton 3204

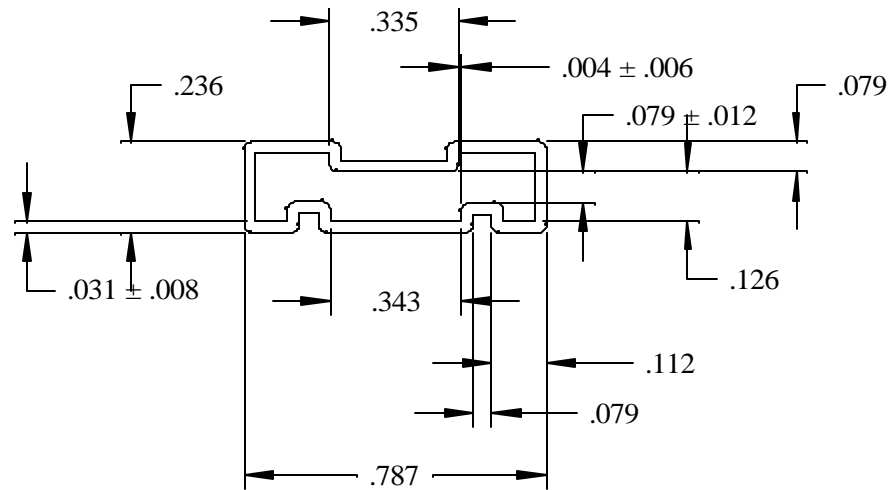
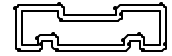
DRAWN BY MC	SCALE N/A
CHK'D BY	DATE 05/04/2002
APPROVED BY	PART NUMBER MC-487TSOPBEP



Tube Accessories

DESCRIPTION	4x4 QFN Anti-static Shipping Tube
PINS	N/A
END PLUGS	MC-MLF4BEP
CONDUCTIVE TUBE STUFFER	MC-1520CTS
RUBBER CUSHION END PLUG	N/A
All tubes are 15.00" long. Modifications or custom lengths available.	

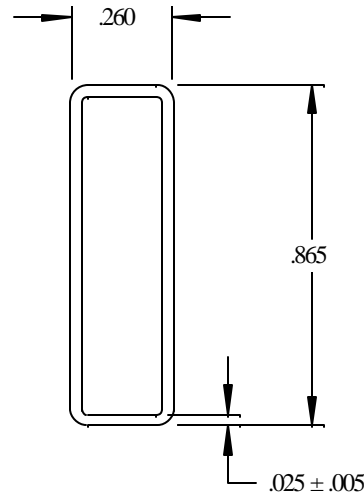
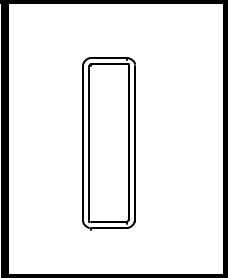
DRAWN BY		SCALE
MC		N/A
CHK'D BY		DATE
AC		02/27/2002
STD. TOLERANCE		PART NUMBER
± .010		MC-4QFN/AS



Tube Accessories

DESCRIPTION	350-400 Mil SOP Anti-static Tube
PINS	N/A
END PLUGS	MC-322-6WHITE
CONDUCTIVE TUBE STUFFER	MC-6060CTS
RUBBER CUSHION END PLUG	SPECIAL ORDER
All tubes are 20" long. Modifications or custom lengths available.	

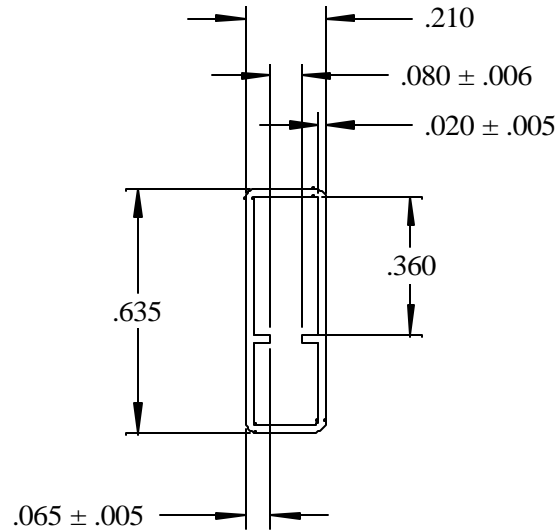
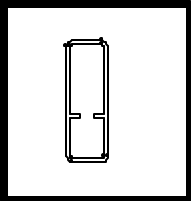
DRAWN BY	MC	SCALE	N/A
CHK'D BY		DATE	08/27/1997
APPROVED BY		PART NUMBER	MC-525SOP/AS



Tube Accessories

DESCRIPTION	52 Lead PLCC Anti-static Tube
PINS	N/A
END PLUGS	MC-600BEP, MC-600REP, MC-2039-6
CONDUCTIVE TUBE STUFFER	MC-6187CTS
RUBBER CUSHION END PLUG	MC-6187RCP
All tubes are 20" long. Modifications or custom lengths available.	

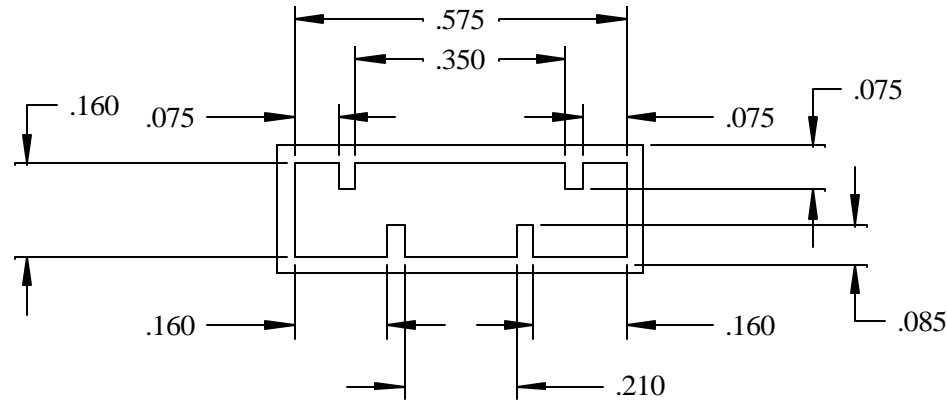
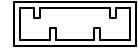
DRAWN BY	MC	SCALE	N/A
CHK'D BY	AC	DATE	1-27-97
STD. TOLERANCE	± .010	PART NUMBER	MC-52PLCC/AS



Tube Accessories

DESCRIPTION	ZIP Tube
PINS	N/A
END PLUGS	MC-322-3WHITE
CONDUCTIVE TUBE STUFFER	MC-3125CTS
RUBBER CUSHION END PLUG	MC-3125RCP
All tubes are 20" long. Modifications or custom lengths available.	

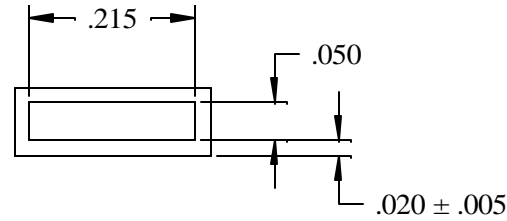
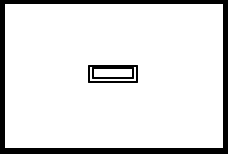
DRAWN BY		SCALE	
MC		N/A	
CHK'D BY		DATE	
		08/27/1997	
APPROVED BY		PART NUMBER	
		MC-570ZIP	



Tube Accessories

DESCRIPTION	Anti-static Tube
PINS	N/A
END PLUGS	BEP
CONDUCTIVE TUBE STUFFER	CTS
RUBBER CUSHION END PLUG	SPECIAL ORDER
All tubes are 20" long. Modifications or custom lengths available.	

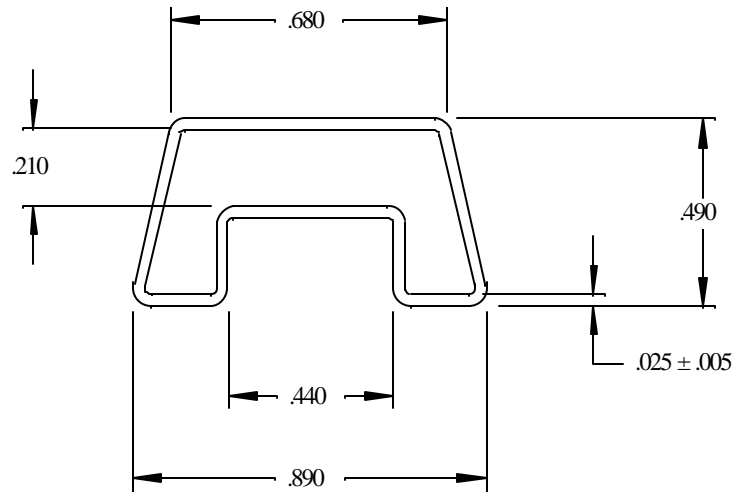
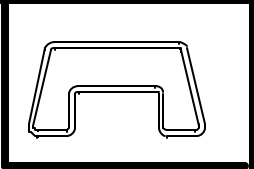
DRAWN BY	MC	SCALE	N/A
CHK'D BY		DATE	09-28-2000
APPROVED BY		PART NUMBER	MC-575-160/AS



Tube Accessories

DESCRIPTION	5x5 MLF Anti-static Shipping Tube
PINS	N/A
END PLUGS	MC-MLF5BEP
CONDUCTIVE TUBE STUFFER	MC-2020CTS
RUBBER CUSHION END PLUG	N/A
All tubes are 12.375" long. Modifications or custom lengths available.	

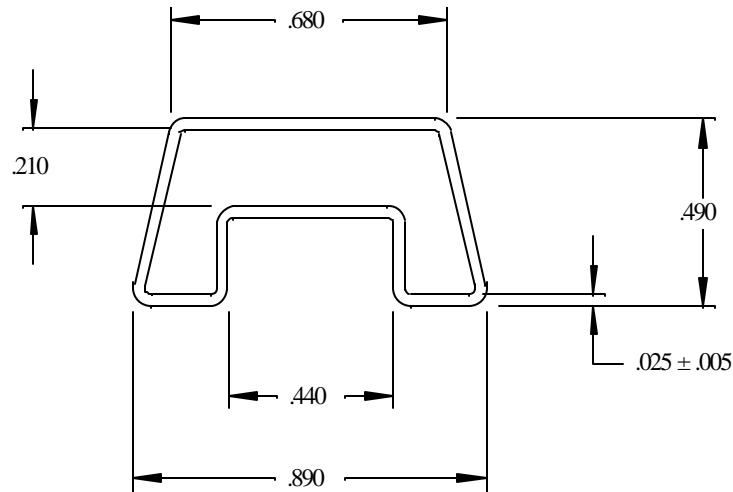
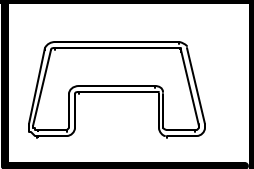
DRAWN BY		SCALE	
MC		N/A	
CHK'D BY		DATE	
AC		02/27/2002	
STD. TOLERANCE		PART NUMBER	
± .010		MC-5MLF/AS	



Tube Accessories

DESCRIPTION	600 Mil DIP High Profile Anti-static Tube
END PLUG	MC-600BEP, MC-600REP, MC-2039-6
PIN	MC-2000 EYELET, MC-4000 NEEDLE
CONDUCTIVE TUBE STUFFER	MC-6187CTS
MC-6187RCP	MC-6187RCP
All tubes are 20" long. Modifications or custom lengths available.	

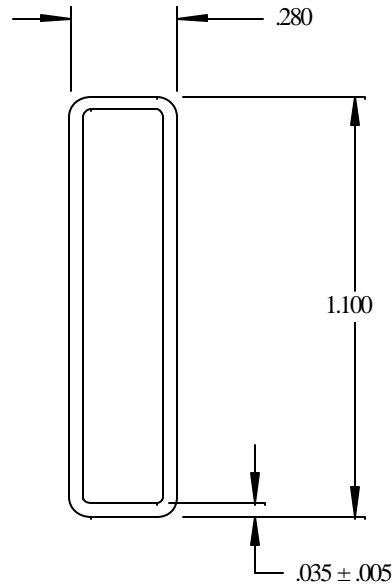
DRAWN BY	MC	SCALE	N/A
CHK'D BY	AC	DATE	1-15-97
STD. TOLERANCE	± .010	PART NUMBER	MC-600HAS



Tube Accessories

DESCRIPTION	600 Mil DIP High Profile Anti-static Tube
END PLUG	MC-600BEP, MC-600REP, MC-2039-6
PIN	MC-2000 EYELET, MC-4000 NEEDLE
CONDUCTIVE TUBE STUFFER	MC-6187CTS
MC-6187RCP	MC-6187RCP
All tubes are 20" long. Modifications or custom lengths available.	

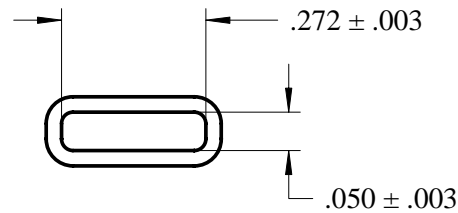
DRAWN BY	MC	SCALE	N/A
CHK'D BY	AC	DATE	1-15-97
STD. TOLERANCE	± .010	PART NUMBER	MC-600HAS



Tube Accessories

DESCRIPTION	68 Lead PLCC Anti-static Tube
PINS	N/A
END PLUGS	MC-900BEP, MC-900REP, MC-2039-9
CONDUCTIVE TUBE STUFFER	MC-9187CTS
RUBBER CUSHION END PLUG	MC-9187RCP
All tubes are 20" long. Modifications or custom lengths available.	

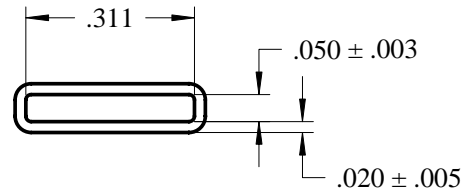
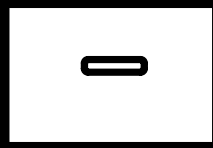
DRAWN BY	MC	SCALE	N/A
CHK'D BY	AC	DATE	1-27-97
STD. TOLERANCE	± .010	PART NUMBER	MC-68PLCC/AS



Tube Accessories

DESCRIPTION	6x6 QFN Anti-static Shipping Tube
PINS	N/A
END PLUGS	MC-MLF4BEP
CONDUCTIVE TUBE STUFFER	MC-1520CTS
RUBBER CUSHION END PLUG	N/A
All tubes are 15.00" long. Modifications or custom lengths available.	

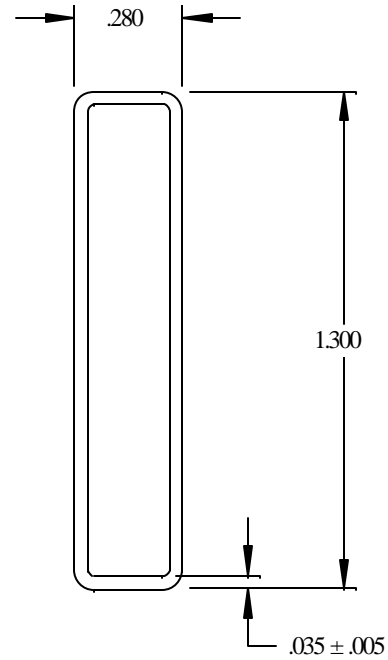
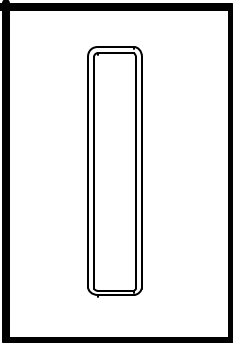
DRAWN BY		SCALE	
MC		N/A	
CHK'D BY		DATE	
AC		02/27/2002	
STD. TOLERANCE		PART NUMBER	
± .010		MC-6QFN/AS	



Tube Accessories

DESCRIPTION	7x7 LPCC Anti-static Shipping Tube
PINS	N/A
END PLUGS	MC-0110-01
CONDUCTIVE TUBE STUFFER	MC-2020CTS
RUBBER CUSHION END PLUG	N/A
All tubes are 15.00" long. Modifications or custom lengths available.	

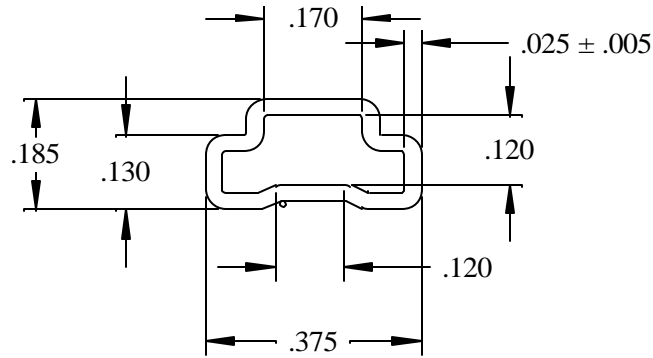
DRAWN BY		SCALE
MC		N/A
CHK'D BY		DATE
AC		02/27/2002
STD. TOLERANCE		PART NUMBER
± .010		MC-7LPCC/AS



Tube Accessories

DESCRIPTION	84 Lead PLCC Anti-static Tube
PINS	N/A
END PLUGS	MC-1200BEP, MC-1200REP, MC-2039-12
CONDUCTIVE TUBE STUFFER	MC-12187CTS
RUBBER CUSHION END PLUG	MC-12187RCP
All tubes are 20" long. Modifications or custom lengths available.	

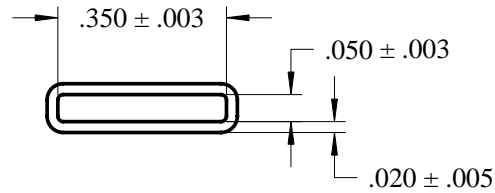
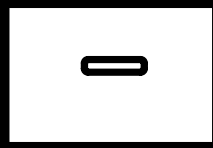
DRAWN BY	MC	SCALE	N/A
CHK'D BY	AC	DATE	1-27-97
STD. TOLERANCE	± .010	PART NUMBER	MC-84PLCC/AS



Tube Accessories

DESCRIPTION	8-Lead SOIC Anti-static Tube
PINS	N/A
END PLUGS	MC-150SOICBEP
CONDUCTIVE TUBE STUFFER	MC-2030CTS
RUBBER CUSHION END PLUG	SPECIAL ORDER
All tubes are 20" long. Modifications or custom lengths available.	

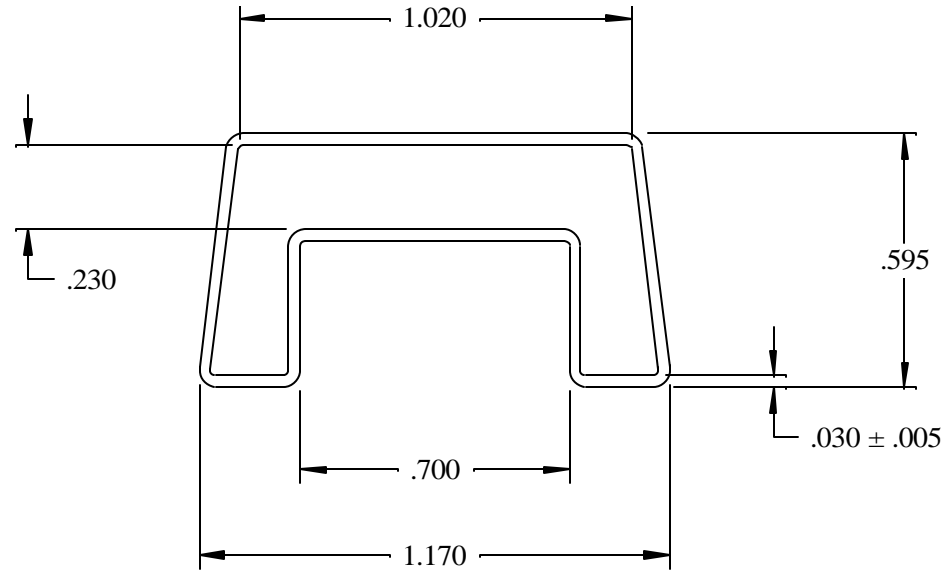
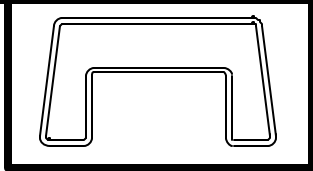
DRAWN BY	MC	SCALE	N/A
CHK'D BY		DATE	08/27/1997
APPROVED BY		PART NUMBER	MC-8L-SOIC/AS



Tube Accessories

DESCRIPTION	8x8 QFN Anti-static Shipping Tube
PINS	N/A
END PLUGS	MC-0110-01
CONDUCTIVE TUBE STUFFER	MC-2020CTS
RUBBER CUSHION END PLUG	N/A
All tubes are 15.00" long. Modifications or custom lengths available.	

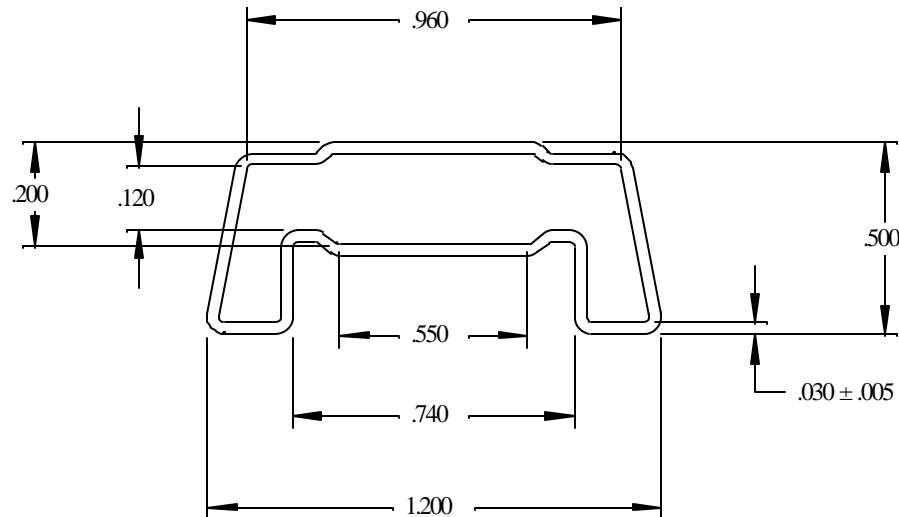
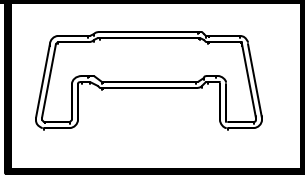
DRAWN BY		SCALE
MC		N/A
CHK'D BY		DATE
AC		02/27/2002
STD. TOLERANCE		PART NUMBER
± .010		MC-8QFN/AS



Tube Accessories

DESCRIPTION	900 Mil High Profile DIP Tube
PINS	MC-2000 EYELET, MC-4000 NEEDLE
END PLUGS	MC-900BEP, MC-2039-9
CONDUCTIVE TUBE STUFFER	MC-9187CTS
RUBBER CUSHION END PLUG	SPECIAL ORDER
All tubes are 20" long. Modifications or custom lengths available.	

DRAWN BY	MC	SCALE	N/A
CHK'D BY	MV	DATE	12/9/97
APPROVED BY	AM	PART NUMBER	MC-900HAS

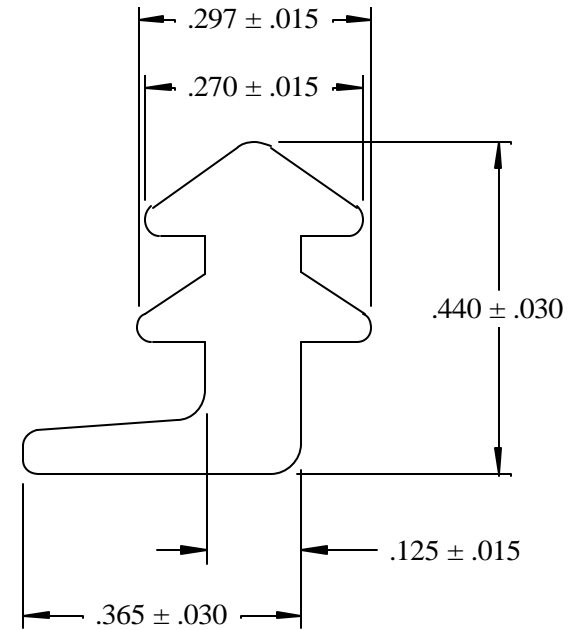
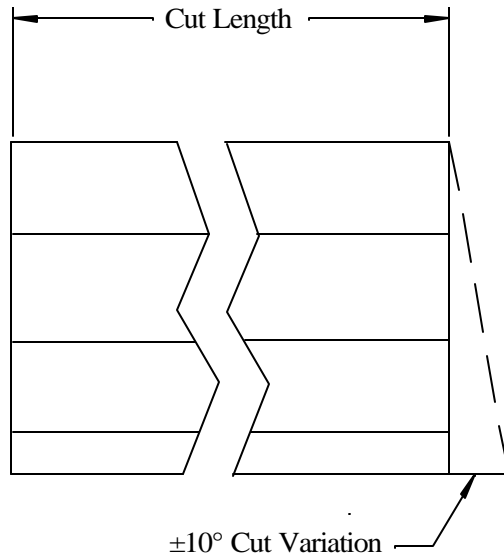
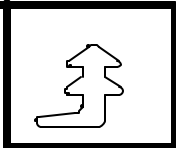


Tube Accessories

DESCRIPTION	900 Mil DIP Low Profile Anti-static Tube
END PLUG	MC-900BEP, MC-900REP, MC-2039-9
PIN	MC-2000 EYELET, MC-4000 NEEDLE
CONDUCTIVE TUBE STUFFER	MC-9125CTS
RUBBER CUSHION END PLUG	MC-9125RCP
All tubes are 20" long. Modifications or custom lengths available.	

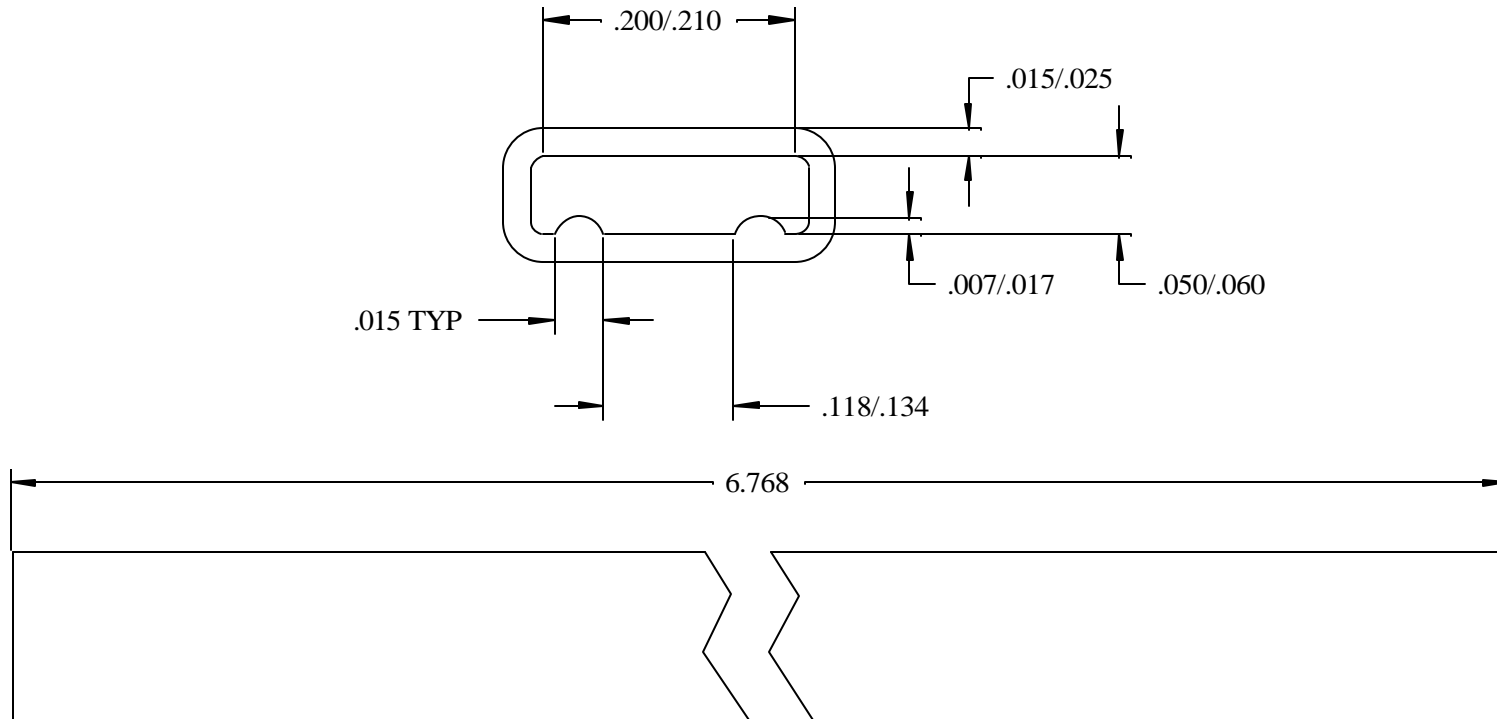
DRAWN BY	MC	SCALE	N/A
CHK'D BY	AC	DATE	1-15-97
STD. TOLERANCE	± .010	PART NUMBER	MC-900LAS

Part Number	Cut Length	Color	Tube Outline
MC-300BEP	.340"	Black	300 and 400 Mil DIP 20, 28 and 32 PLCC
MC-600BEP	.600"	Black	600 Mil DIP 44 and 52 PLCC
MC-900BEP	.900"	Black	68 PLCC
MC-1200BEP	1.200"	Black	84 PLCC



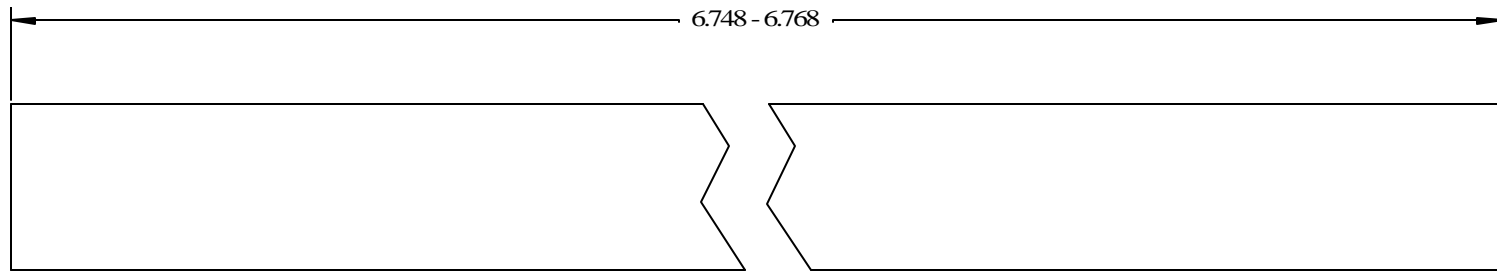
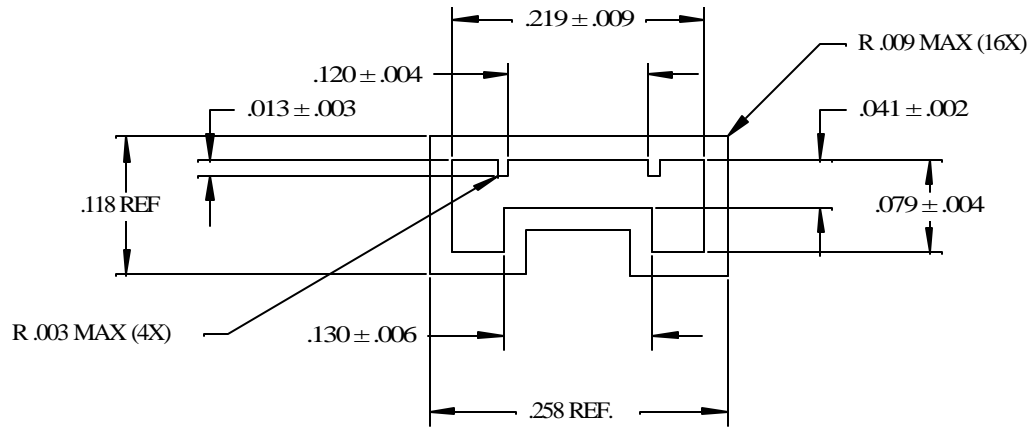
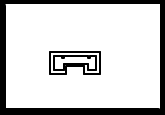
DESCRIPTION	Two Pronged End Plug
MATERIAL	Kraton 3204

DRAWN BY	MC	SCALE	N/A
CHK'D BY		DATE	04/25/2000
APPROVED BY		PART NUMBER	MC-XXXXBEP



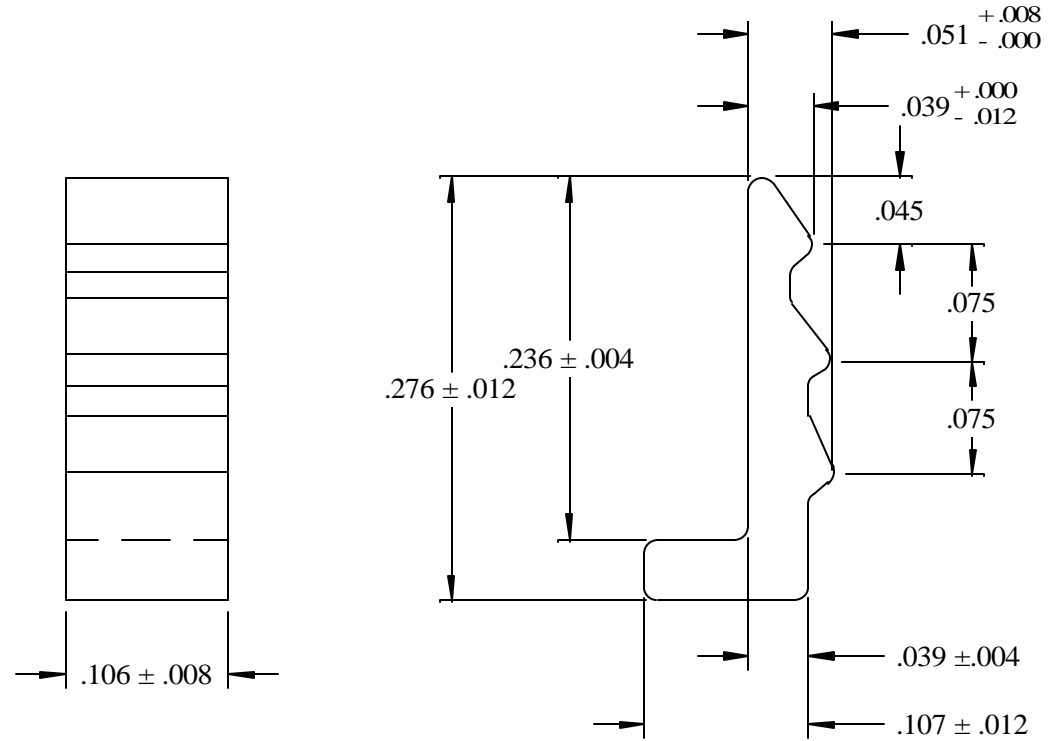
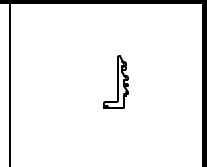
DESCRIPTION	MSOP Anti-static Tube
PINS	N/A
END PLUGS	MC-MNSOICBEP
CONDUCTIVE TUBE STUFFER	N/A
RUBBER CUSHION END PLUG	N/A

DRAWN BY	MC	SCALE	N/A
CHK'D BY	MV	DATE	12/24/97
APPROVED BY	AM	PART NUMBER	MC-MNSOIC/AS



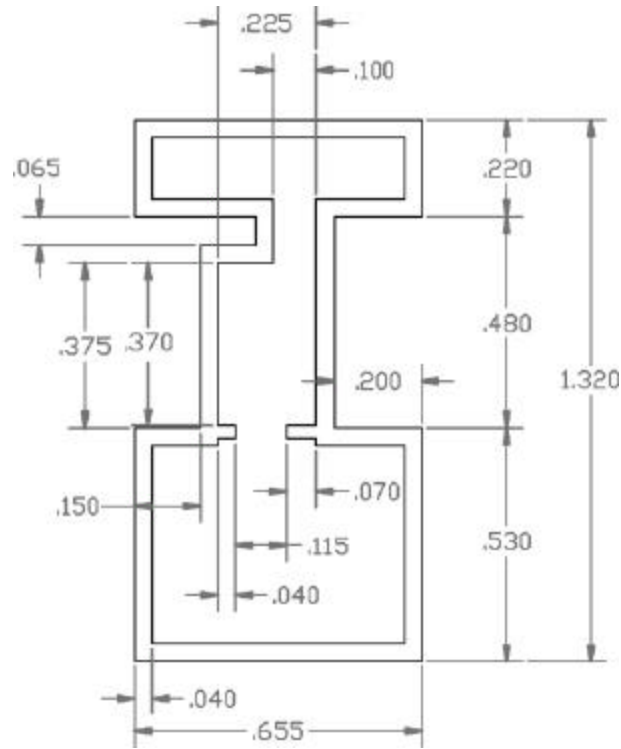
DESCRIPTION	MSOP Anti-static Tube
PINS	N/A
END PLUGS	MC-MNSOICBEP
CONDUCTIVE TUBE STUFFER	N/A
RUBBER CUSHION END PLUG	N/A

DRAWN BY	MC	SCALE	N/A
CHK'D BY	AC	DATE	11/08/2000
APPROVED BY	AM	PART NUMBER	MC-MSOP/AS



DESCRIPTION	Black End Plug
MATERIAL	Flexible PVC

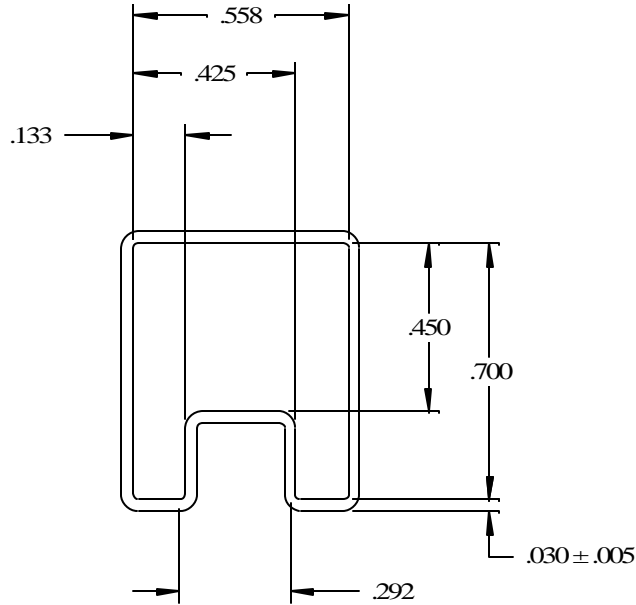
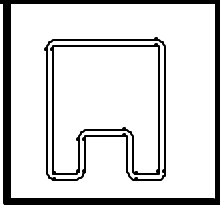
DRAWN BY	MC	SCALE	N/A
CHK'D BY	AC	DATE	11/14/2000
APPROVED BY		PART NUMBER	MC-MSOPBEP



Tube Accessories

DESCRIPTION	TO-220 Anti-static Tube
PINS	MC-4000 NEEDLE
END PLUGS	
CONDUCTIVE TUBE STUFFER	
RUBBER CUSHION END PLUG	

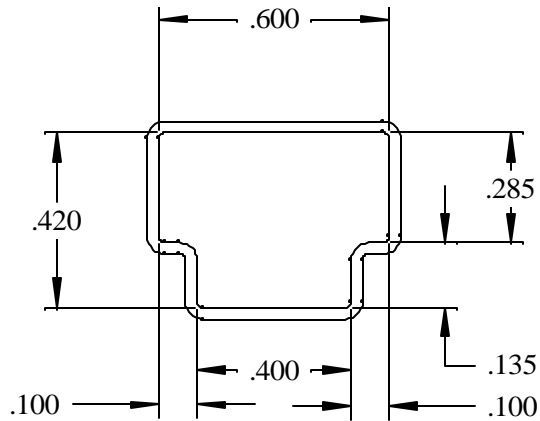
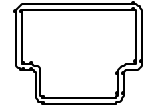
DRAWN BY	MC	SCALE	N/A
CHK'D BY	MV	DATE	10/01/99
APPROVED BY	AM	PART NUMBER	MC-MULTI-TO/AS



Tube Accessories

DESCRIPTION	Anti-static Connector Shipping Tube
PINS	MC-0550
END PLUGS	
CONDUCTIVE TUBE STUFFER	
RUBBER CUSHION END PLUG	
All tubes are 20" long. Modifications or custom lengths available.	

DRAWN BY	MC	SCALE	N/A
CHK'D BY	AC	DATE	11/18/2000
STD. TOLERANCE	± .010	PART NUMBER	MC-OP550/AS

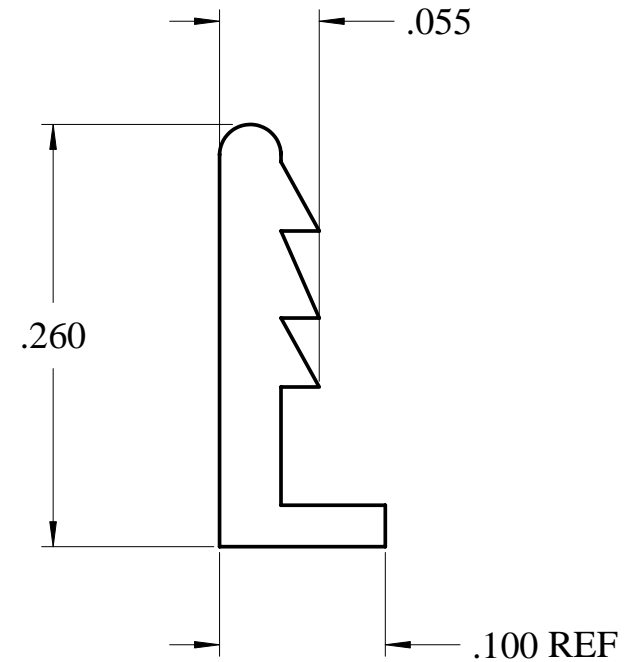
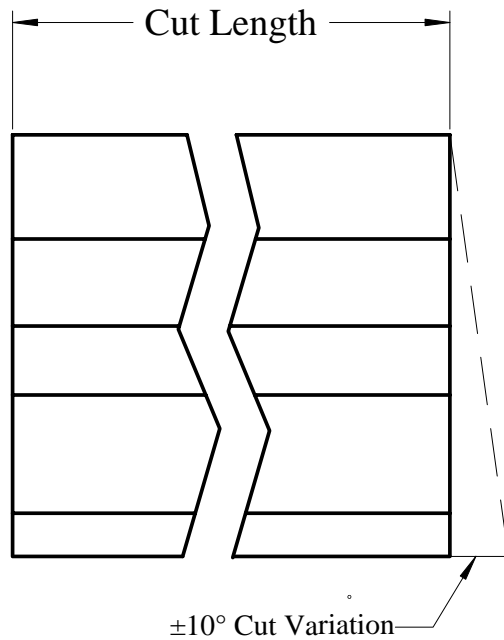
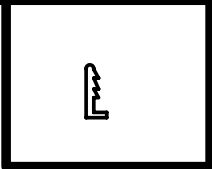


Tube Accessories

DESCRIPTION	Anti-static Tube
PINS	N/A
END PLUGS	N/A
CONDUCTIVE TUBE STUFFER	N/A
RUBBER CUSHION END PLUG	SPECIAL ORDER
All tubes are 20" long. Modifications or custom lengths available.	

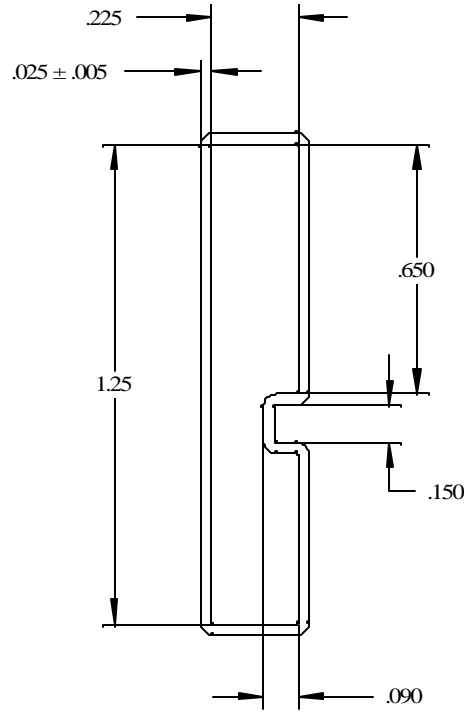
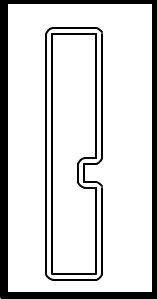
DRAWN BY		SCALE	
MC		N/A	
CHK'D BY		DATE	
		09-28-2000	
APPROVED BY		PART NUMBER	
		MC-OP600/AS	

Part Number	Cut Length	Color	Tube Outline
MC-2QFNBEP	.080 ± .030	Black	2x2 QFN
MC-3QFNBEP	.098 ± .030	Black	3x3 QFN
MC-4QFNBEP	.140 ± .030	Black	4x4 QFN
MC-5MLFBEP	.190 ± .030	Blue	5x5 MLF
MC-6QFNBEP	.240 ± .030	Black	6x6 QFN
MC-8QFNBEP	.310 ± .030	Black	8x8 QFN



DESCRIPTION	Black End Plug
MATERIAL	Kraton 3204

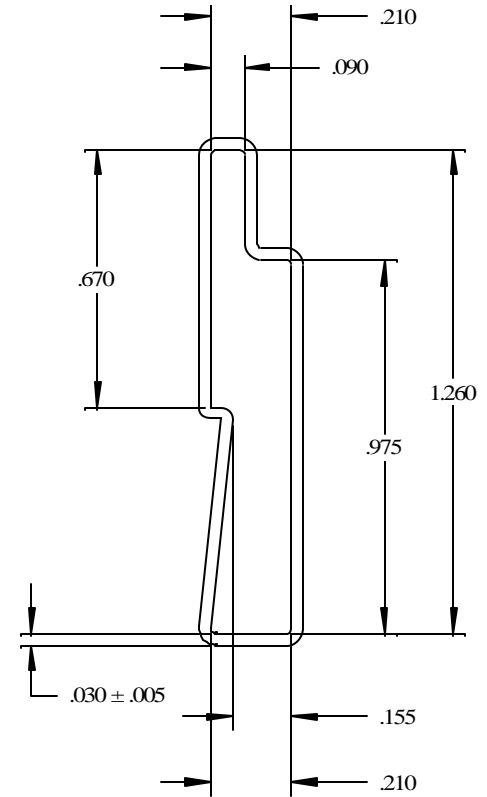
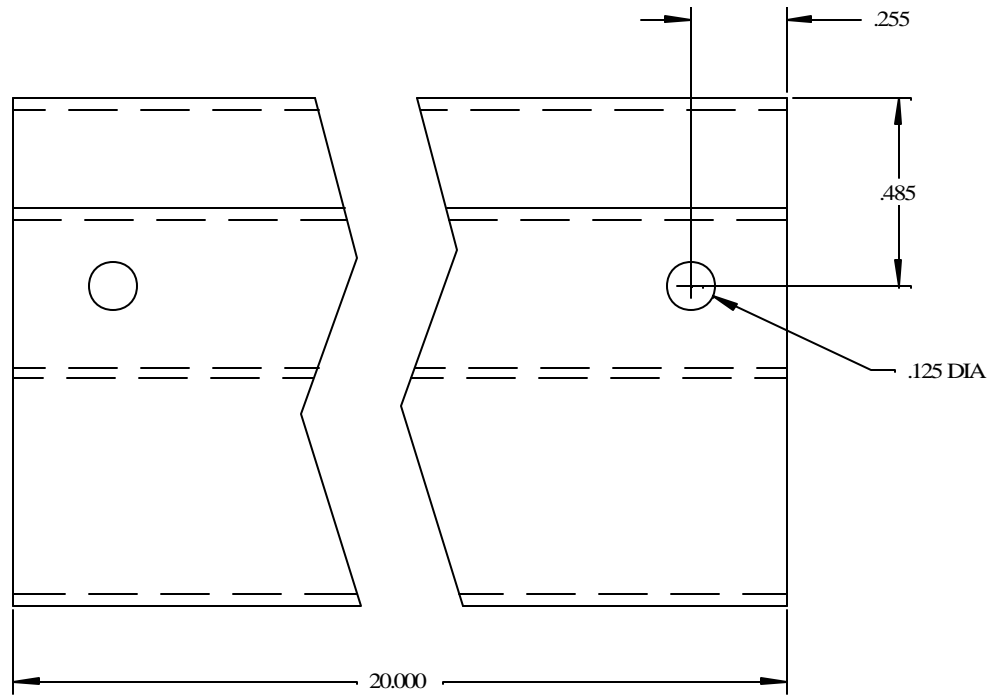
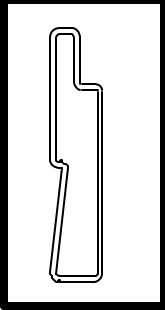
DRAWN BY	MC	SCALE	N/A
CHK'D BY		DATE	05/04/2000
APPROVED BY		PART NUMBER	QFN PLUGS



Tube Accessories

DESCRIPTION	TO-220 Anti-static Tube
PINS	MC-4000 NEEDLE
END PLUGS	MC-2039-6
CONDUCTIVE TUBE STUFFER	MC-6187CTS
RUBBER CUSHION END PLUG	MC-6187
All tubes are 20" long. Modifications or custom lengths available.	

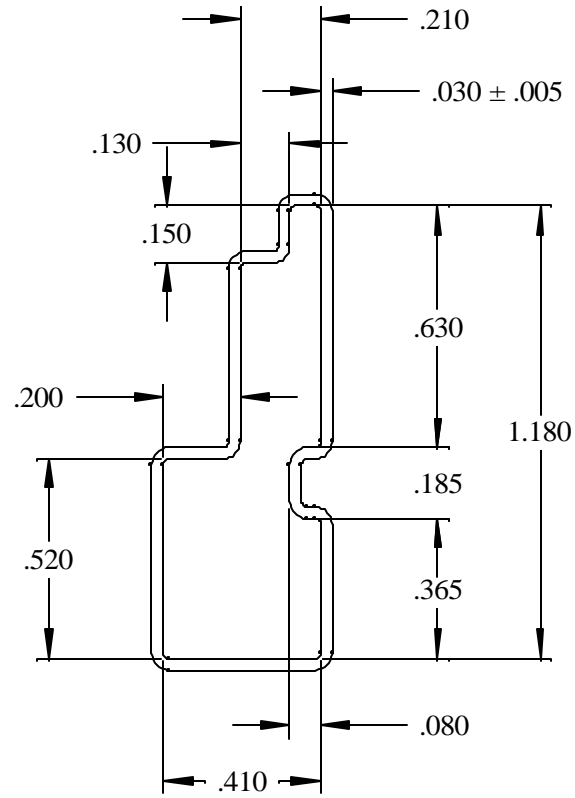
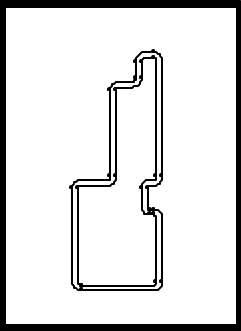
DRAWN BY	MC	SCALE	N/A
CHK'D BY	MV	DATE	8/27/97
APPROVED BY	AM	PART NUMBER	MC-TO220/AS



Tube Accessories

DESCRIPTION	TO-220 Anti-static Tube
PINS	MC-2000, MC-4000
END PLUGS	MC-300BEP
CONDUCTIVE TUBE STUFFER	SPECIAL ORDER
RUBBER CUSHION END PLUG	SPECIAL ORDER
All tubes are 20" long. Modifications or custom lengths available.	

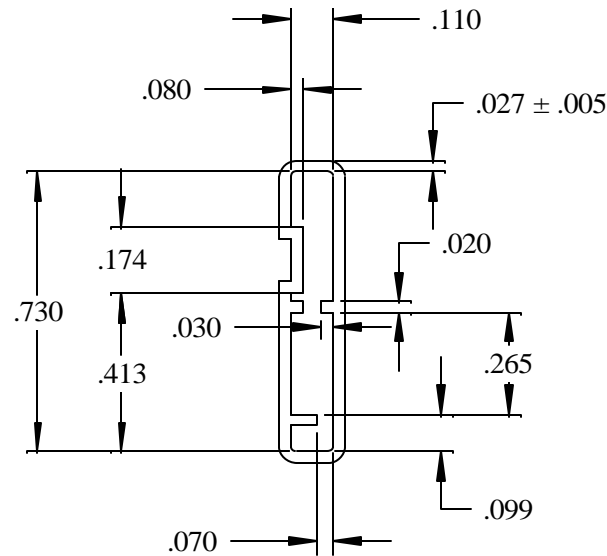
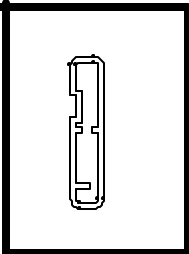
DRAWN BY	MC	SCALE	N/A
CHK'D BY		DATE	10/05/2000
APPROVED BY		PART NUMBER	MC-TO225/AS



Tube Accessories

DESCRIPTION	Anti-static Tube
PINS	MC-2000WHITE
END PLUGS	MC-300BEP
CONDUCTIVE TUBE STUFFER	SPECIAL ORDER
RUBBER CUSHION END PLUG	SPECIAL ORDER
All tubes are 20" long. Modifications or custom lengths available.	

DRAWN BY	MC	SCALE	N/A
CHK'D BY		DATE	08/27/1997
APPROVED BY		PART NUMBER	MC-TO226/AS



Tube Accessories

DESCRIPTION	TO-251 Anti-static Tube
PINS	N/A
END PLUGS	MC-322-3WHITE
CONDUCTIVE TUBE STUFFER	MC-3060CTS
RUBBER CUSHION END PLUG	SPECIAL ORDER
All tubes are 20" long. Modifications or custom lengths available.	

DRAWN BY		SCALE
MC		N/A
CHK'D BY		DATE
		08/27/1997
APPROVED BY		PART NUMBER
		MC-TO251/AS